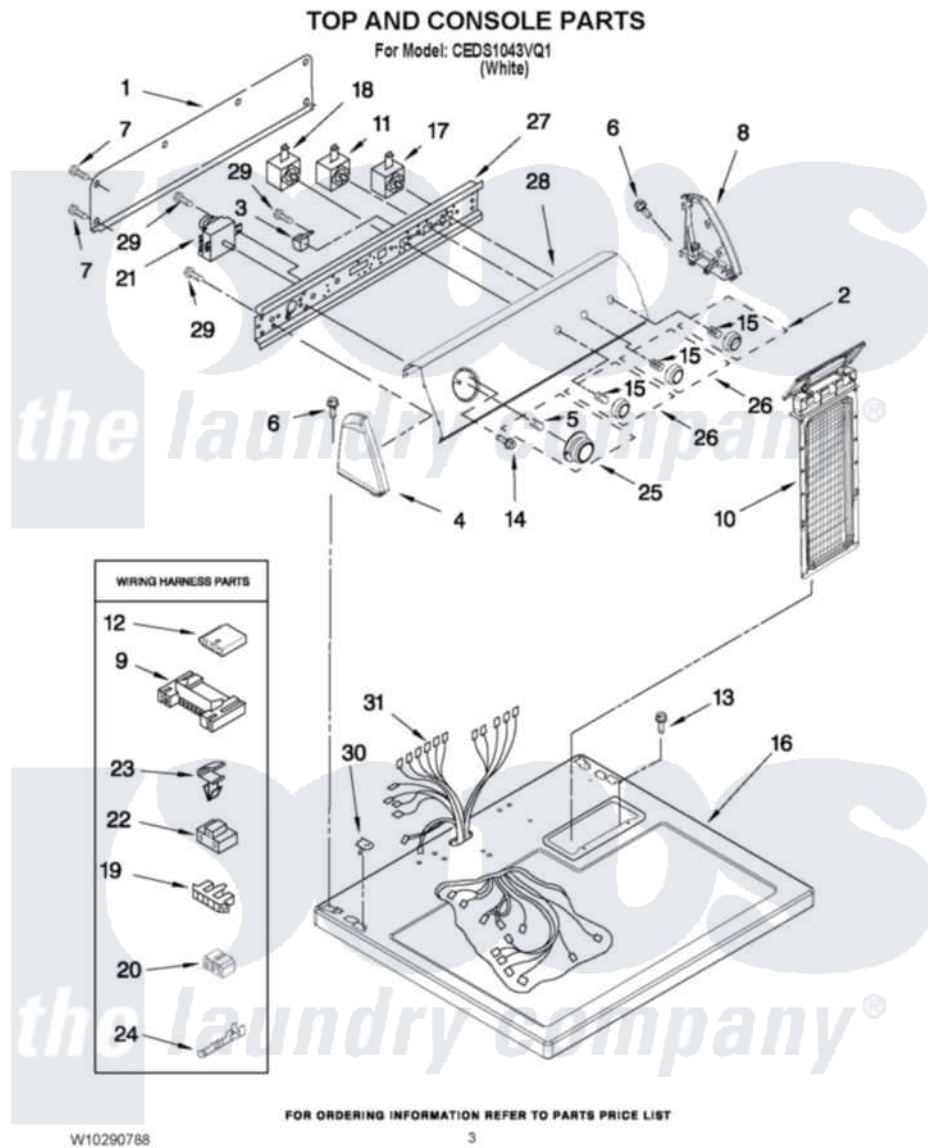


Crosley CEDS1043VQ1 02 - TOP AND CONSOLE PARTS



Crosley [Residential Crosley CEDS1043VQ1 Dryer Parts](#) Parts Diagram 02 - TOP AND CONSOLE PARTS
Click on the part number to view part

| Item | Original Part Number | Replaced By | Status | Part Description |
|------|-------------------------|-------------------------|--------|-----------------------------------|
| 1 | 8274261 | | | Do-It-Yourself Repair Manuals |
| 2 | 8538959 | | | Knob, Push-To-Start |
| 3 | 694419 | | | Mini-Buzzer |
| 4 | 8271365 | 279962 | | Endcap |
| 5 | 688805 | | | Clip, Spring Knob |
| 6 | 388326 | | | Screw, 8-18 X 1.25 |
| 7 | 693995 | | | Screw, Hex Head |
| 8 | 8271359 | 279962 | | Endcap |
| 9 | 3395683 | | | Receptacle, Multi-Terminal |
| 10 | 8558463 | | | HANDLE AND LINT SCREEN ASSEMBLY |
| 11 | 3405152 | | | Switch, Wrinkle Shield |
| 12 | 3936144 | | | Do-It-Yourself Repair Manuals |
| 13 | 688983 | 487240 | | Screw, For Mtg. Service Capacitor |
| 14 | 8533951 | 3400859 | | Screw, Grounding |
| 15 | 8536939 | | | Clip, Knob |

| | | | |
|----|---------------------------|-------------------------|--|
| 16 | 8557930 | 8563985 | Top |
| 17 | 3398094 | | Switch, Push To Start |
| 18 | 3399639 | | Switch, Rotary Temperature |
| 19 | 3397269 | | Connector, Timer |
| 20 | 3347243 | | Block, Disconnect |
| 21 | W10185982 | | Timer Assembly |
| 22 | 3401144 | | Connector |
| 23 | 3394427 | | Clip-Harness |
| 24 | 94614 | | Terminal |
| 25 | 8538953 | | Timer Knob Assembly |
| 26 | 8538957 | | Knob, Control |
| 27 | 8271418 | | Bracket, Control |
| 28 | W10218311 | | Panel, Control |
| 29 | 8533971 | 90767 | Screw, 8A X 3/8 HeX Washer Head Tapping |
| 30 | 357213 | | Nut, Push-In |
| 31 | W10186071 | | Harness, Wiring |

