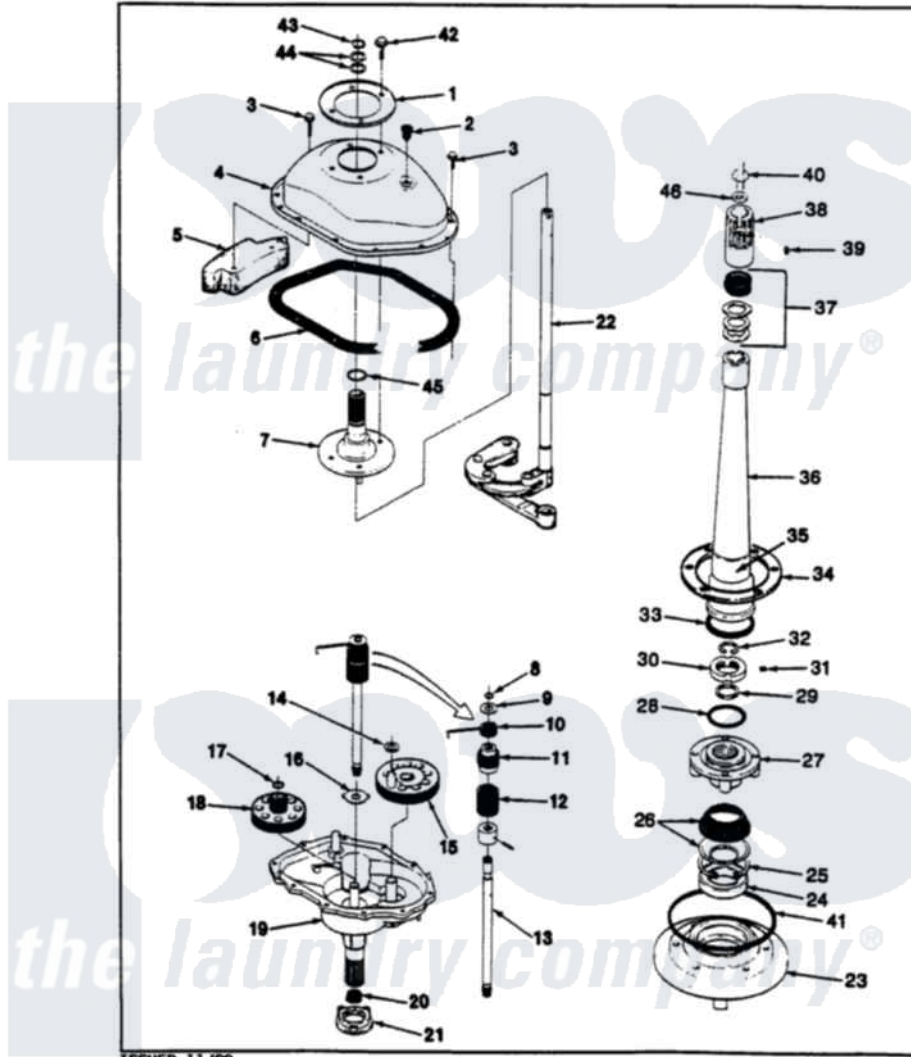


# Crosley CW18P6A 09 - TRANSMISSION (REV. E-G)

CROSLEY CW18P6 TRANSMISSION & RELATED PARTS



Crosley Residential Crosley CW18P6A Washer Parts Parts Diagram 09 - TRANSMISSION (REV. E-G)  
 Click on the part number to view part

Item	Original Part Number	Replaced By	Status	Part Description
1	33-9893	<a href="#">33-7187</a>		Covr Reinforcmt
2	<a href="#">35-2621</a>			Plug, Oil Fill
"	33-9373		Not Available	OIL FILL PLUG
3	<a href="#">25-7916</a>			Bolt
4	<a href="#">33-4286N</a>			Transmission Cover Kit
"	35-2620		Not Available	COVER, TRANSMISSION
5	35-2130		Not Available	COUNTER WEIGHT
"	<a href="#">35-2642</a>			Counterweight
6	35-1030		Not Available	GASKET, TRANSMISSION HOUSING
7	<a href="#">35-2654</a>			Drive Tube Assembly
"	33-8763	<a href="#">33-4286N</a>		Transmission Cover Kit
8	<a href="#">25-7847</a>			Ring, Retaining
9	25-7416		Not Available	WASHER, FLAT
10	33-6114	<a href="#">33-6463</a>		Spring
11	<a href="#">35-2001</a>			Pinion, Drive
12	33-3195		Not Available	SPRING

13	<a href="#">LA-2005</a>		Clutch Assembly Kit
"	35-2116	Not Available	DRIVE SHAFT & HUB ASSY
14	<a href="#">25-7091</a>		Thrust Washer
15	<a href="#">35-2043</a>		Crank Gear
"	35-2631	Not Available	GEAR, CRANK
16	25-7274	Not Available	WASHER, STEEL
"	<a href="#">35-2070</a>		Washer, Steel W/Tabs
"	35-2462	<a href="#">35-3825</a>	Washer, Nylon
17	25-7853	<a href="#">25-7933</a>	Ring, Retaining
18	35-2013	<a href="#">35-0547</a>	Cluster Gear
"	<a href="#">35-2527</a>		Gear, Cluster
19	35-2640	Not Available	TRANSMISSION HOUSING
"	35-2012	Not Available	TRANSMISSION HOUSING ASSY
20	35-2010	<a href="#">207843</a>	Lip Seal Repair Kit
21	35-2111	<a href="#">12001562</a>	Bearing Assembly
22	35-0628	<a href="#">35-3573</a>	Linkage As
"	35-2637	Not Available	LINKAGE ASSY
23	35-2059	<a href="#">35-2450</a>	Housing Assembly, Bearing And Seal
24	<a href="#">35-2205</a>		Bearing, Spin
25	<a href="#">25-7849</a>		Retaining Ring
26	<a href="#">33-7224N</a>		Tub Seal Assembly
27	33-9987	Not Available	BASKET HUB ASM
28	<a href="#">35-2061</a>		Gasket, Tub To Housing
29	25-7722	<a href="#">33-4293N</a>	Gasket Kit
30	33-9507	<a href="#">33-9504</a>	Locknut
31	<a href="#">25-7120</a>		Set Screw
32	<a href="#">25-7848</a>		Retaining Ring
33	<a href="#">33-8718</a>		Gasket
34	<a href="#">35-0930</a>		Gasket
35	<a href="#">33-6790</a>		Bearing, Agitator
36	33-4283N	Not Available	CENTERPOST KIT
37	<a href="#">33-7806N</a>		Seal Assembly
38	33-9729	Not Available	DRIVE BLOCK ASM
39	<a href="#">25-7378</a>		Set Screw
40	<a href="#">33-6817</a>		Stud
41	<a href="#">35-2060</a>		Seal, Tub To Housing
42	<a href="#">25-7359</a>		Screw
43	<a href="#">25-7848</a>		Retaining Ring
44	<a href="#">25-7057</a>		Washer, Flat
45	25-7722	<a href="#">33-4293N</a>	Gasket Kit
46	<a href="#">25-7316</a>		Flat Washer
NI	LA-2001	Not Available	TRANSMISSION REPLACEMENT KIT