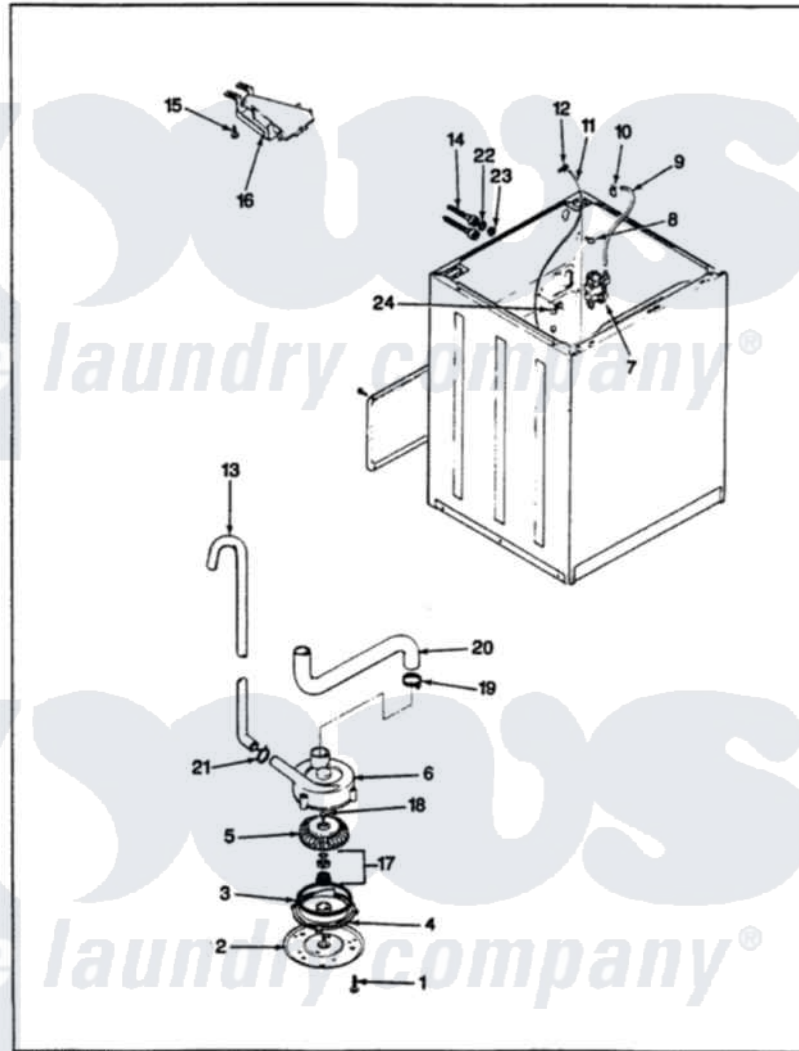


Crosley CW18P6A 15 - WATER CARRYING (REV. E-G)

CROSLEY

CW18P6

WATER CARRYING & PUMP ASSEMBLY



ISSUED 9/89

Crosley [Residential Crosley CW18P6A Washer Parts](#) Parts Diagram 15 - WATER CARRYING (REV. E-G)
 Click on the part number to view part

Item	Original Part Number	Replaced By	Status	Part Description
1	25-7405	3196164		Screw
2	33-6035		Not Available	PLATE & PULLEY ASSY.
3	33-6032			Gasket
4	35-2058			Base, Pump
5	35-2057	35-6465		Pump Assem
6	35-2099	35-6465		Pump Assem
"	35-2056		Not Available	HOUSING, PUMP
7	25-7220			Clip, Cabinet Top
"	35-2374	35-2374N		Valve, Water
8	25-7867	596669		Clamp, Manifold
9	35-2378	12002749		Hose, Flume Kit
10	25-7867	596669		Clamp, Manifold
11	35-2261		Not Available	PAD, PRESSURE SWITCH HOSE
"	35-2321	21001748		Hose, Pressure Switch
12	33-6099			Clamp
13	33-9436	211704		Hose, Drain

14	33-7046	89503	Hose-Inlet
"	35-0873	76313	Hosefill
15	25-3092	90767	Screw, 8A X 3/8 HeX Washer Head Tapping
16	35-2051	21001760	Flume Assembly / Water Diverter
17	35-0707		Seal, Seat And "O" Ring
18	25-7894	W10001180	Screw
19	25-6069	Not Available	CORBIN CLAMP
20	35-2131	Not Available	HOSE, SUMP TO PUMP
21	25-7080	285655	Clamp, Hose
22	25-7048		Washer
23	33-7313	33-4264N	Strainer And Washer Kit
24	25-7796	596669	Clamp, Manifold

