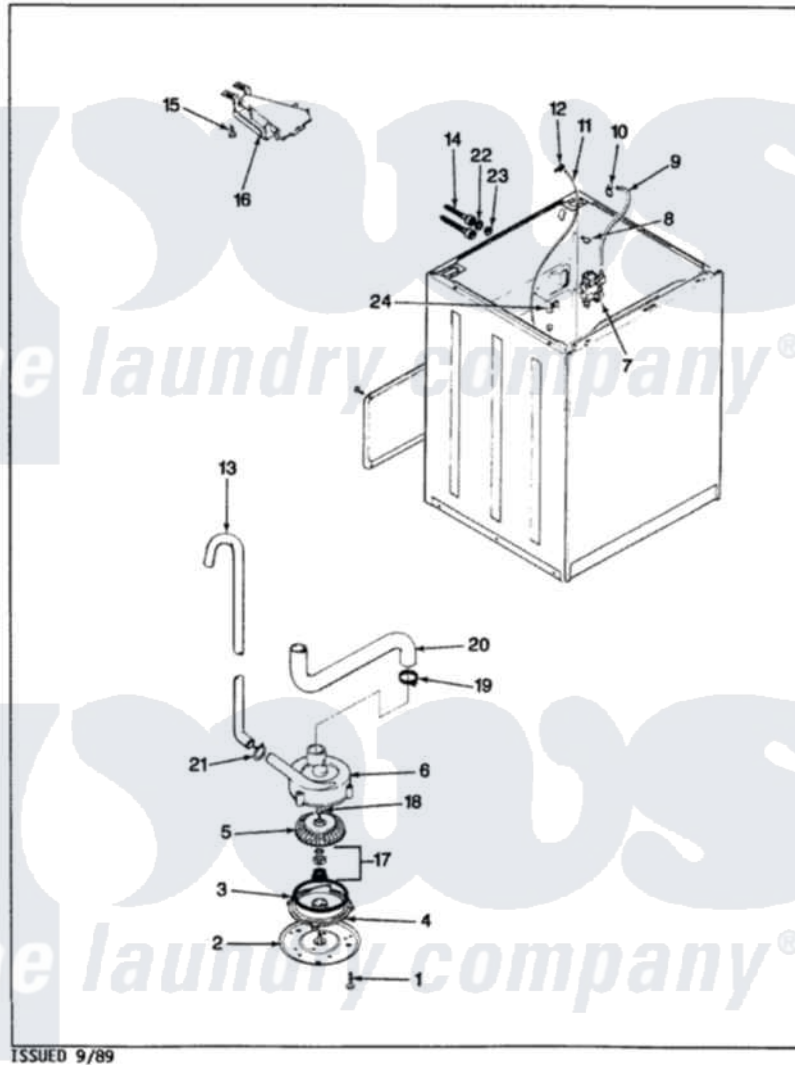


# Crosley CW18P6H 11 - WATER CARRYING (REV. H-M)

CROSLEY CW18P6 WATER CARRYING & PUMP ASSEMBLY



Crosley Residential Crosley CW18P6H Washer Parts Parts Diagram 11 - WATER CARRYING (REV. H-M)  
 Click on the part number to view part

| Item | Original Part Number    | Replaced By              | Status        | Part Description          |
|------|-------------------------|--------------------------|---------------|---------------------------|
| 1    | 25-7405                 | <a href="#">3196164</a>  |               | Screw                     |
| 2    | 33-6035                 |                          | Not Available | PLATE & PULLEY ASSY.      |
| 3    | <a href="#">33-6032</a> |                          |               | Gasket                    |
| 4    | <a href="#">35-2058</a> |                          |               | Base, Pump                |
| 5    | 35-2057                 | <a href="#">35-6465</a>  |               | Pump Assem                |
| 6    | 35-2099                 | <a href="#">35-6465</a>  |               | Pump Assem                |
| "    | <a href="#">35-2344</a> |                          |               | Restrictor, Flow          |
| "    | 35-2056                 |                          | Not Available | HOUSING, PUMP             |
| 7    | <a href="#">25-7220</a> |                          |               | Clip, Cabinet Top         |
| "    | 35-2374                 | <a href="#">35-2374N</a> |               | Valve, Water              |
| 8    | 25-7867                 | <a href="#">596669</a>   |               | Clamp, Manifold           |
| 9    | 35-2378                 | <a href="#">12002749</a> |               | Hose, Flume Kit           |
| 10   | 25-7867                 | <a href="#">596669</a>   |               | Clamp, Manifold           |
| 11   | 35-2322                 | <a href="#">21001748</a> |               | Hose, Pressure Switch     |
| "    | 35-2261                 |                          | Not Available | PAD, PRESSURE SWITCH HOSE |
| 12   | <a href="#">33-6099</a> |                          |               | Clamp                     |

|    |                         |                           |   |
|----|-------------------------|---------------------------|---|
| 13 | 35-2896                 | <a href="#">211704</a>    | Hose, Drain                             |
| 14 | 35-0873                 | <a href="#">76313</a>     | Hosefill                                |
| "  | 33-7046                 | <a href="#">89503</a>     | Hose-Inlet                              |
| 15 | 25-3092                 | <a href="#">90767</a>     | Screw, 8A X 3/8 HeX Washer Head Tapping |
| 16 | 35-2051                 | <a href="#">21001760</a>  | Flume Assembly / Water Diverter         |
| 17 | <a href="#">35-0707</a> |                           | Seal, Seat And "O" Ring                 |
| 18 | 25-7894                 | <a href="#">W10001180</a> | Screw                                   |
| 19 | 25-6069                 | Not Available             | CORBIN CLAMP                            |
| "  | 25-6068                 | <a href="#">285655</a>    | Clamp, Hose                             |
| 20 | 35-3584                 | <a href="#">21001915</a>  | Hose, Tub To Pump                       |
| "  | <a href="#">35-2982</a> |                           | Hose Tub To Pump                        |
| 21 | 25-7080                 | <a href="#">285655</a>    | Clamp, Hose                             |
| 22 | <a href="#">25-7048</a> |                           | Washer                                  |
| 23 | 33-7313                 | <a href="#">33-4264N</a>  | Strainer And Washer Kit                 |
| 24 | 25-7796                 | <a href="#">596669</a>    | Clamp, Manifold                         |

