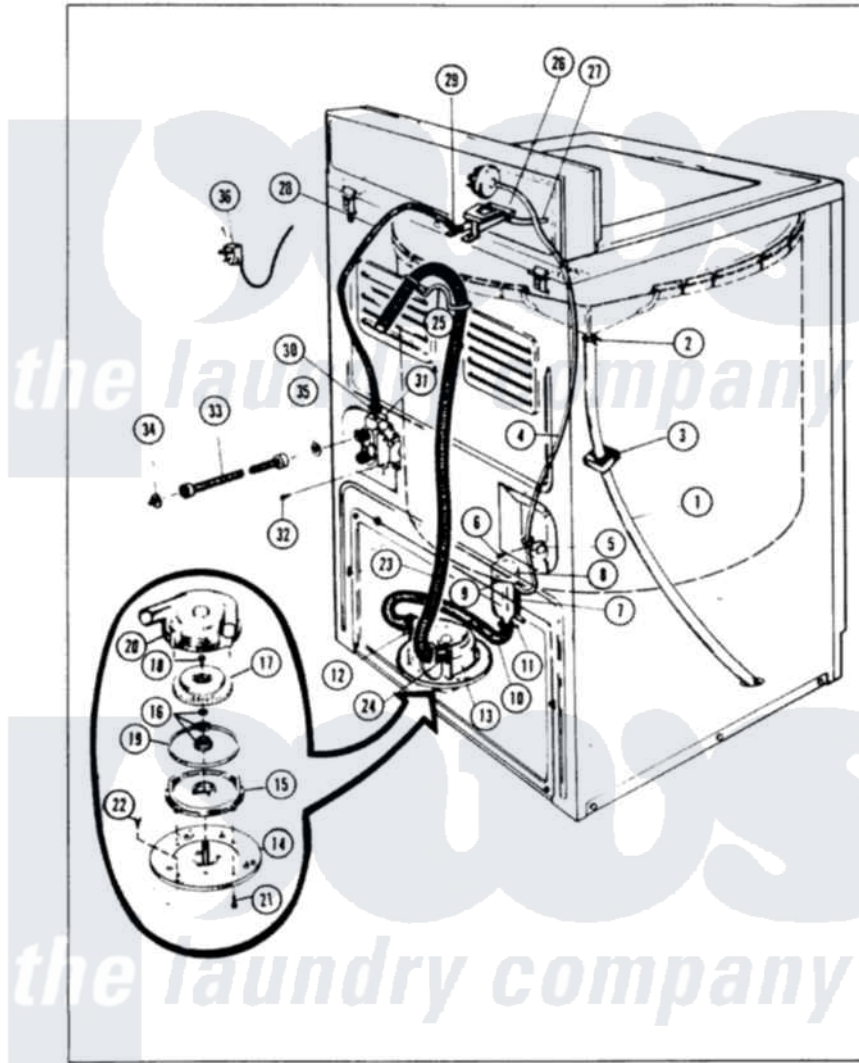


Crosley CW20M9N 06 - WATER CARRYING (ORIG. REV. A)

CROSLLEY

CW20M9

WATER CARRYING



Issued 4/88

Crosley Residential Crosley CW20M9N Washer Parts Parts Diagram 06 - WATER CARRYING (ORIG. REV. A)
 Click on the part number to view part

Item	Original Part Number	Replaced By	Status	Part Description
1	35-0059		Not Available	OVERFLOW HOSE
2	25-6057		Not Available	HOSE CLAMP
3	35-0706		Not Available	PAD, FOAM
4	33-4090		Not Available	HOSE
"	25-7796	596669		Clamp, Manifold
5	33-6099			Clamp
6	W10124350		Not Available	NOT REQUIRED PART OR SEE NOTE SCREW, 10-12 X 3/8 (PURCHASE LOCALLY)
7	33-7314			Sump Assembly
8	33-3633		Not Available	HOSE
9	25-7003			Clamp
10	33-6091			Hose
11	25-6066		Not Available	HOSE CLAMP
12	25-6055		Not Available	HOSE CLAMP
13	35-0008	35-6467		Pump Assem
"	35-1069	35-6467		Pump Assem

14	33-6035		Not Available	PLATE & PULLEY ASSY.
15	33-6029	35-6467		Pump Assem
16	35-0707			Seal, Seat And "O" Ring
17	35-0010			Impeller
18	25-7418	33001178		Back, Tumbler
19	33-6032			Gasket
20	35-0009			Pump Housing
21	25-7405	3196164		Screw
22	25-7419		Not Available	SCREW
23	33-9535	211704		Hose, Drain
"	25-7048			Washer
24	25-7881	285655		Clamp, Hose
"	33-9536			Hose Adapter
25	25-7797	285655		Clamp, Hose
"	33-9537	22003814		Retainer, Drain Hose
26	25-7086	Y0308025		Washer, Stainless Steel
"	33-9830		Not Available	INLET FLUME
"	25-7583		Not Available	PLASTIC NUT
"	25-3092	90767		Screw, 8A X 3/8 HeX Washer Head Tapping
27	33-6038		Not Available	FLUME EXT
28	35-0541		Not Available	WATR INLET HOSE
29	25-7867	596669		Clamp, Manifold
30	25-7866	489503		Clamp
31	35-0085	35-2374N		Valve, Water
"	33-7058		Not Available	SUB 36-1456
32	25-7851			Speedclip, End Cap To Top
33	33-7891	89503		Hose-Inlet
"	35-0874	76313		Hosefill
34	33-7313	33-4264N		Strainer And Washer Kit
35	25-7048			Washer
36	35-0680		Not Available	CORD, POWER

