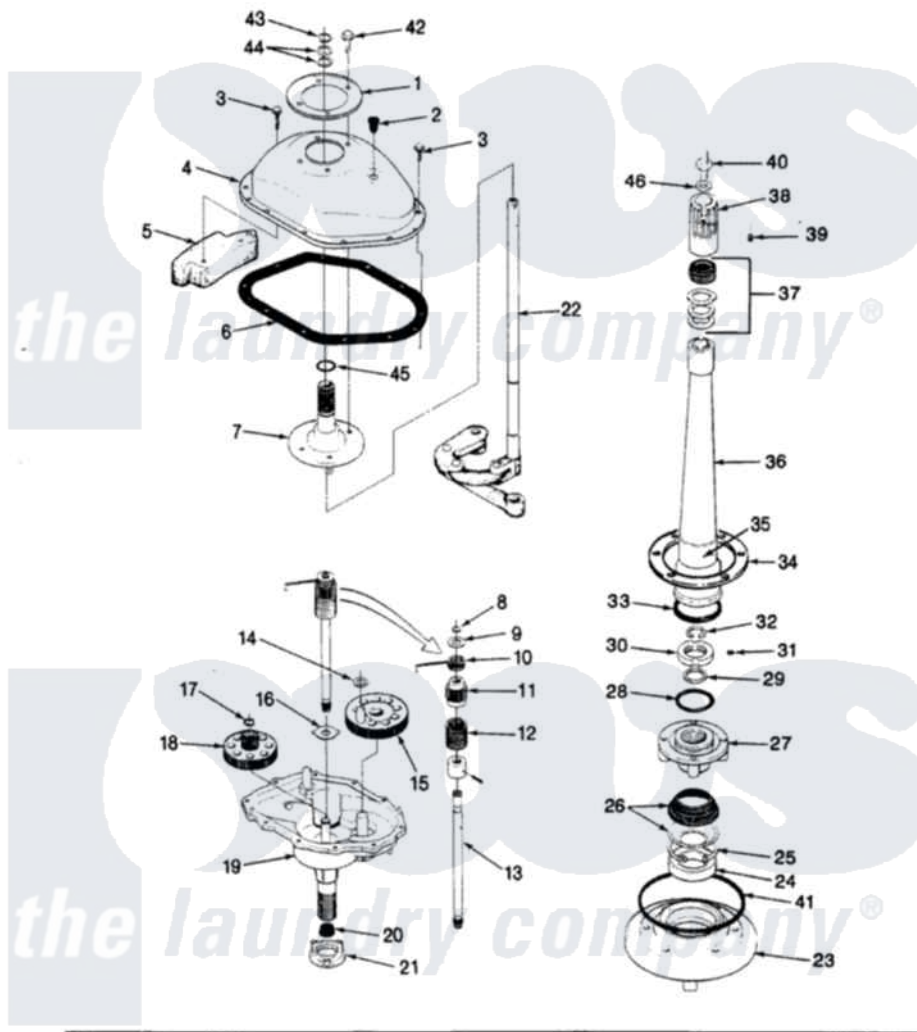


# Crosley CW20P5AC 06 - TRANSMISSION

SECTION: TRANSMISSION & RELATED PARTS  
MODEL: CW20P5C



Issue Date: 2/91

Crosley [Residential Crosley CW20P5AC Washer Parts](#) Parts Diagram 06 - TRANSMISSION  
Click on the part number to view part

| Item | Original Part Number    | Replaced By             | Status        | Part Description             |
|------|-------------------------|-------------------------|---------------|------------------------------|
| 1    | 33-9893                 | <a href="#">33-7187</a> |               | Covr Reinforcmt              |
| 2    | <a href="#">35-2621</a> |                         |               | Plug, Oil Fill               |
| 3    | <a href="#">25-7916</a> |                         |               | Bolt                         |
| 4    | 35-2620                 |                         | Not Available | COVER, TRANSMISSION          |
| 5    | <a href="#">35-2642</a> |                         |               | Counterweight                |
| 6    | 35-1030                 |                         | Not Available | GASKET, TRANSMISSION HOUSING |
| 7    | <a href="#">35-2654</a> |                         |               | Drive Tube Assembly          |
| 8    | <a href="#">25-7847</a> |                         |               | Ring, Retaining              |
| 9    | 25-7416                 |                         | Not Available | WASHER, FLAT                 |
| 10   | 33-6114                 | <a href="#">33-6463</a> |               | Spring                       |
| 11   | <a href="#">35-2001</a> |                         |               | Pinion, Drive                |
| 12   | 33-3195                 |                         | Not Available | SPRING                       |
| 13   | <a href="#">LA-2005</a> |                         |               | Clutch Assembly Kit          |
| "    | 35-2116                 |                         | Not Available | DRIVE SHAFT & HUB ASSY       |
| 14   | <a href="#">25-7091</a> |                         |               | Thrust Washer                |
| 15   | 35-2631                 |                         | Not Available | GEAR, CRANK                  |

|    |                          |                          |                                    |
|----|--------------------------|--------------------------|------------------------------------|
| 16 | <a href="#">35-2070</a>  |                          | Washer, Steel W/Tabs               |
| "  | 35-2462                  | <a href="#">35-3825</a>  | Washer, Nylon                      |
| "  | 25-7274                  |                          | Not Available                      |
| 17 | 25-7853                  | <a href="#">25-7933</a>  | WASHER, STEEL                      |
| 18 | <a href="#">35-2527</a>  |                          | Ring, Retaining                    |
| 19 | 35-2640                  |                          | Gear, Cluster                      |
| 20 | 35-2010                  | <a href="#">207843</a>   | TRANSMISSION HOUSING               |
| 21 | 35-2111                  | <a href="#">12001562</a> | Lip Seal Repair Kit                |
| 22 | 35-2637                  |                          | Bearing Assembly                   |
| 23 | 35-2059                  | <a href="#">35-2450</a>  | Not Available                      |
| 24 | <a href="#">35-2205</a>  |                          | LINKAGE ASSY                       |
| 25 | <a href="#">25-7849</a>  |                          | Housing Assembly, Bearing And Seal |
| 26 | <a href="#">33-7224N</a> |                          | Bearing, Spin                      |
| 27 | 33-9987                  |                          | Retaining Ring                     |
| 28 | <a href="#">35-2061</a>  |                          | Tub Seal Assembly                  |
| 29 | 25-7722                  | <a href="#">33-4293N</a> | Not Available                      |
| 30 | 33-9507                  | <a href="#">33-9504</a>  | BASKET HUB ASM                     |
| 31 | <a href="#">25-7120</a>  |                          | Gasket, Tub To Housing             |
| 32 | <a href="#">25-7848</a>  |                          | Gasket Kit                         |
| 33 | <a href="#">33-8718</a>  |                          | Locknut                            |
| 34 | <a href="#">35-0930</a>  |                          | Set Screw                          |
| 35 | <a href="#">33-6790</a>  |                          | Retaining Ring                     |
| 36 | 33-4283N                 |                          | Gasket                             |
| 37 | <a href="#">33-7806N</a> |                          | Gasket                             |
| 38 | 33-9729                  |                          | Bearing, Agitator                  |
| 39 | <a href="#">25-7378</a>  |                          | Not Available                      |
| 40 | <a href="#">33-6817</a>  |                          | CENTERPOST KIT                     |
| 41 | <a href="#">35-2060</a>  |                          | Seal Assembly                      |
| 42 | <a href="#">25-7359</a>  |                          | Not Available                      |
| 43 | <a href="#">25-7848</a>  |                          | DRIVE BLOCK ASM                    |
| 44 | <a href="#">25-7057</a>  |                          | Set Screw                          |
| 45 | 25-7722                  | <a href="#">33-4293N</a> | Stud                               |
| 46 | <a href="#">25-7316</a>  |                          | Seal, Tub To Housing               |
| "  | LA-2001                  |                          | Screw                              |
| "  |                          |                          | Retaining Ring                     |
| "  |                          |                          | Washer, Flat                       |
| "  |                          |                          | Gasket Kit                         |
| "  |                          |                          | Flat Washer                        |
| "  |                          |                          | TRANSMISSION REPLACEMENT KIT       |

