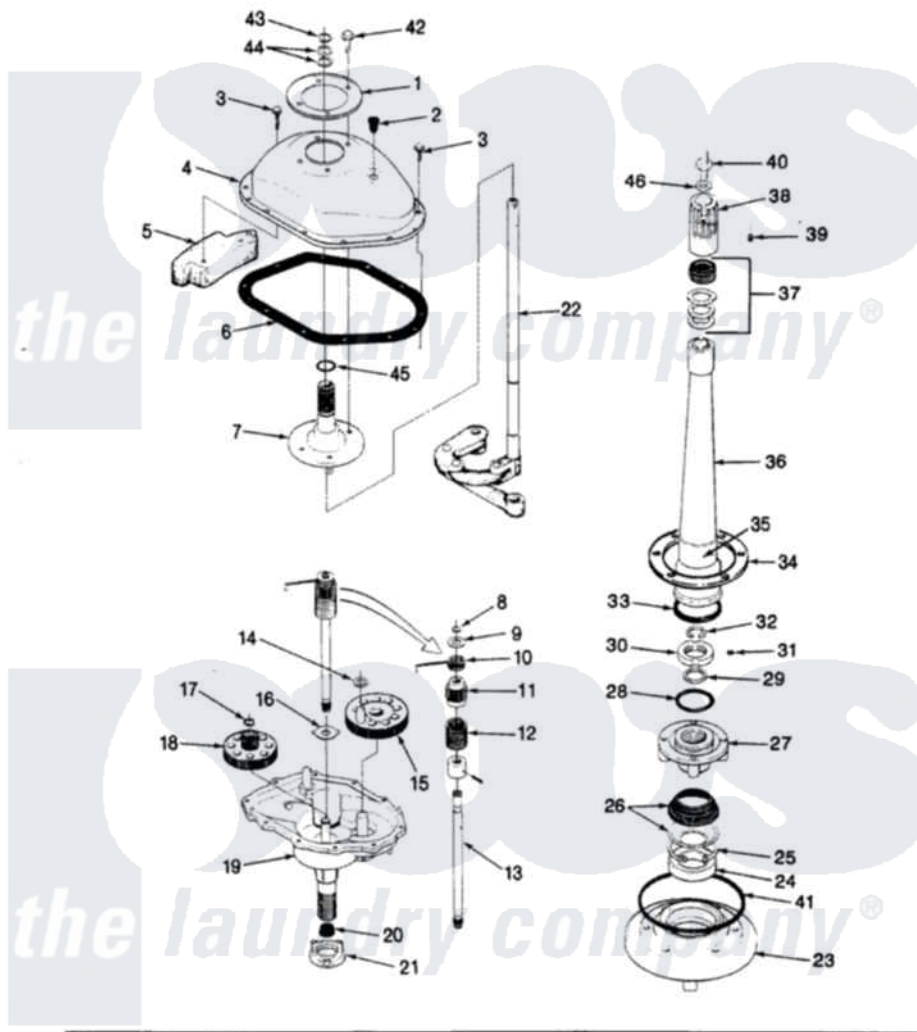


# Crosley CW20P5WC 07 - TRANSMISSION

SECTION: TRANSMISSION & RELATED PARTS  
MODEL: CW20P5C



Issue Date: 2/91

Crosley [Residential Crosley CW20P5WC Washer Parts](#) Parts Diagram 07 - TRANSMISSION  
Click on the part number to view part

Item	Original Part Number	Replaced By	Status	Part Description
1	33-9893	<a href="#">33-7187</a>		Covr Reinforcmt
2	<a href="#">35-2621</a>			Plug, Oil Fill
3	<a href="#">25-7916</a>			Bolt
4	35-2620		Not Available	COVER, TRANSMISSION
5	<a href="#">35-2642</a>			Counterweight
6	35-1030		Not Available	GASKET, TRANSMISSION HOUSING
7	<a href="#">35-2654</a>			Drive Tube Assembly
8	<a href="#">25-7847</a>			Ring, Retaining
9	25-7416		Not Available	WASHER, FLAT
10	33-6114	<a href="#">33-6463</a>		Spring
11	<a href="#">35-2001</a>			Pinion, Drive
12	33-3195		Not Available	SPRING
13	<a href="#">LA-2005</a>			Clutch Assembly Kit
"	35-2116		Not Available	DRIVE SHAFT & HUB ASSY
14	<a href="#">25-7091</a>			Thrust Washer
15	35-2631		Not Available	GEAR, CRANK

16	<a href="#">35-2070</a>		Washer, Steel W/Tab
"	35-2462	<a href="#">35-3825</a>	Washer, Nylon
"	25-7274		Not Available
17	25-7853	<a href="#">25-7933</a>	WASHER, STEEL
18	<a href="#">35-2527</a>		Ring, Retaining
19	35-2640		Not Available
20	35-2010	<a href="#">207843</a>	TRANSMISSION HOUSING
21	35-2111	<a href="#">12001562</a>	Lip Seal Repair Kit
22	35-2637		Not Available
23	35-2059	<a href="#">35-2450</a>	Bearing Assembly
24	<a href="#">35-2205</a>		LINKAGE ASSY
25	<a href="#">25-7849</a>		Housing Assembly, Bearing And Seal
26	<a href="#">33-7224N</a>		Bearing, Spin
27	33-9987		Not Available
28	<a href="#">35-2061</a>		Retaining Ring
29	25-7722	<a href="#">33-4293N</a>	Tub Seal Assembly
30	33-9507	<a href="#">33-9504</a>	Not Available
31	<a href="#">25-7120</a>		BASKET HUB ASM
32	<a href="#">25-7848</a>		Gasket, Tub To Housing
33	<a href="#">33-8718</a>		Gasket Kit
34	<a href="#">35-0930</a>		Locknut
35	<a href="#">33-6790</a>		Set Screw
36	33-4283N		Not Available
37	<a href="#">33-7806N</a>		Retaining Ring
38	33-9729		Gasket
39	<a href="#">25-7378</a>		Gasket
40	<a href="#">33-6817</a>		Bearing, Agitator
41	<a href="#">35-2060</a>		Not Available
42	<a href="#">25-7359</a>		CENTERPOST KIT
43	<a href="#">25-7848</a>		Seal Assembly
44	<a href="#">25-7057</a>		Not Available
45	25-7722	<a href="#">33-4293N</a>	DRIVE BLOCK ASM
46	<a href="#">25-7316</a>		Set Screw
"	LA-2001		Not Available
"			Stud
"			Seal, Tub To Housing
"			Screw
"			Retaining Ring
"			Washer, Flat
"			Gasket Kit
"			Flat Washer
"			TRANSMISSION REPLACEMENT KIT

