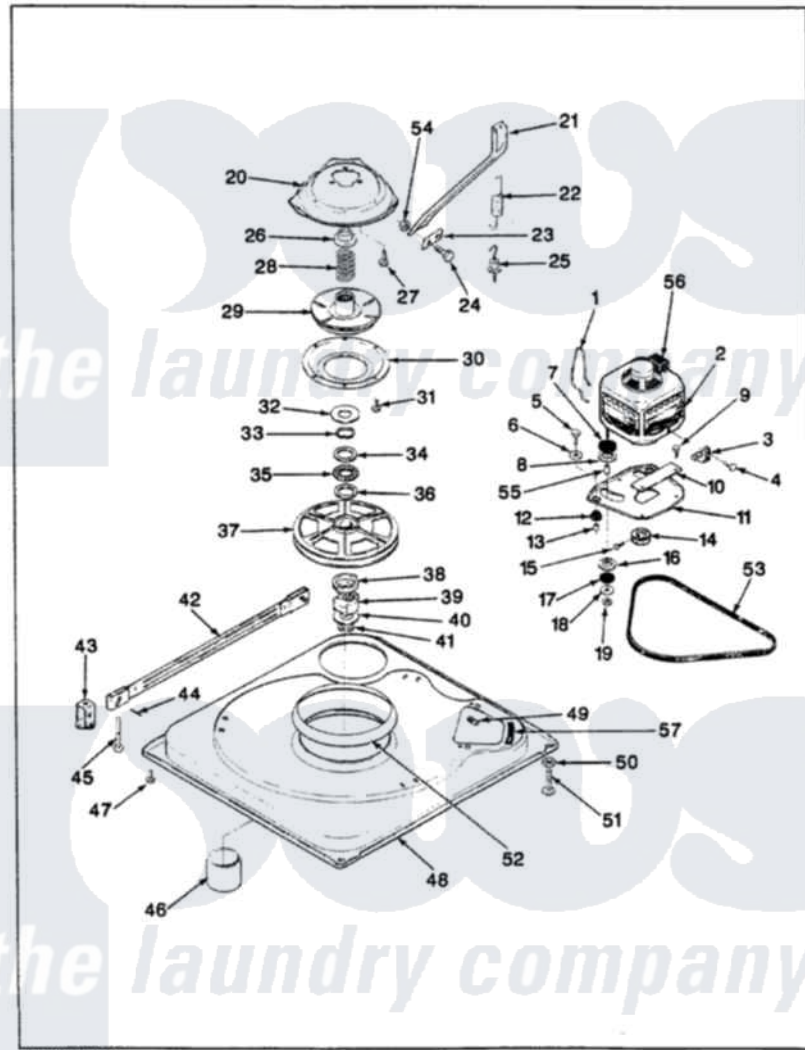


Crosley CW20P8A 02 - BASE & DRIVE (ORIG. REV. E-J)

CROSLEY CW20P8 BASE & DRIVE



ISSUED 9/89

Crosley [Residential Crosley CW20P8A Washer Parts](#) Parts Diagram 02 - BASE & DRIVE (ORIG. REV. E-J)
 Click on the part number to view part

Item	Original Part Number	Replaced By	Status	Part Description
1	35-0235			Spring, Motor Pivot
2	LA-2002		Not Available	MOTOR KIT
"	35-2030		Not Available	MOTOR
3	33-9945			Slide, Foot
4	25-7418	33001178		Back, Tumbler
5	25-7833	21001977		Screw
6	25-7834			Washer, Motor/Base Screw
7	33-9946			Isolator, Motor
8	33-9944	35-3570		Washer, Motor Pivot
9	25-3083	212951		Screw, No.6-32 X 1/4 Inch
10	33-9947		Not Available	DBL.PIVOT SLIDE
11	35-2810	21001783		Plate And Screw Assembly
12	33-9941	35-3646		Isolator, Motor Plate
13	25-7831			Spacer, Mounting
14	35-2124	W10143344		Pulley
15	25-7117			Set Screw

16	33-9943	35-3571		Slide, Motor Pivot
17	33-9967			Washer, Motor Isolator
18	25-7047			Washer, Flat
19	25-7325	Y707702		Locknut
20	35-2015		Not Available	SUSPENSION HOUSING
21	35-2531		Not Available	BRACE, TUB
"	25-7930	21001858		Screw 5/16-18 x 1/2
22	35-2682			Hook Suspension Spring
"	35-2092		Not Available	SUSPENSION SPRING
"	35-2681		Not Available	SPRING, SUSPENSION
23	35-2025		Not Available	PLATE, REINFORCEMENT
24	25-7912			Screw
25	25-7365			Eye Bolt
26	35-2017			Retainer, Brake Spring
27	25-7895	21001858		Screw 5/16-18 x 1/2
28	35-2112	21001910		Spring, Brake
29	35-2113	35-6714		Brake Roto
30	35-2018	35-6918		Stator, Brake
31	25-7359			Screw
32	35-2016		Not Available	SPACER-BEARING
33	25-7909			Washer
34	35-2318		Not Available	WASHER
35	35-2078	12002213		Thrust Bearing Kit
36	35-2081	35-3456		Washer
37	35-2119	12002213		Thrust Bearing Kit
"	35-2683	12002213		Thrust Bearing Kit
38	35-2441	12002213		Thrust Bearing Kit
39	35-2439	12002213		Thrust Bearing Kit
40	35-2082			Washer, 1.25ODX.530IDX.062
41	25-7854			Ring, Retaining
42	35-2049	21001881		Bar, Stabilizer
43	35-2046			Bracket, Stabilizer
44	35-2052			Pin, Stabilizer
45	35-2050	22004469		Leg And Foot Self Stabalizing
"	35-2039		Not Available	PAD, FOOT
46	35-2007			Cap, Dust
47	25-7828	489483		Screw 10-32 X 1/2
48	35-2815		Not Available	BASE, WASHER
"	35-2019		Not Available	BASE, WASHER
49	25-7838	25-7845		Speednut, Motor
50	25-7915			Hex Nut
51	35-0772	25001119		Foot And Pad Assembly
"	35-0837	25001119		Foot And Pad Assembly
52	35-2357	21002026		Snubber
53	35-2320	21352320		Belt, Drive
54	25-0226		Not Available	HEX NUT
55	25-7830			Spacer
56	33-9765			Switch, Motor
"	25-7413		Not Available	FLAT WASHER
57	35-2065			Pad, Motor Plate
NI	35-2329		Not Available	REINF TUB SUPPORT
"	25-7910	25-7758		Screw
"	25-7037		Not Available	KEPS NUT

