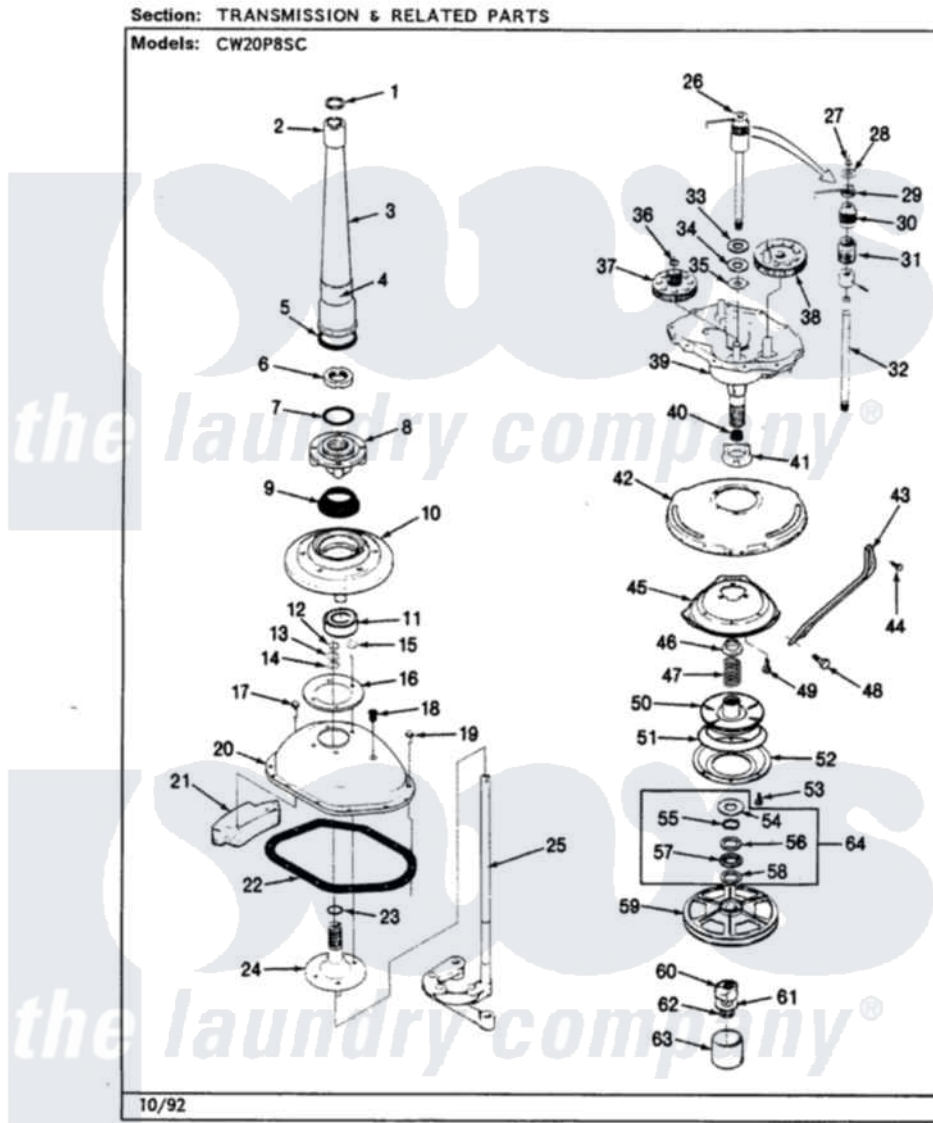


Crosley CW20P8ASC 08 - TRANSMISSION & RELATED PARTS (REV. A-E)



Crosley [Residential Crosley CW20P8ASC Washer Parts](#) Parts Diagram 08 - TRANSMISSION & RELATED PARTS (REV. A-E)

[Click on the part number to view part](#)

Item	Original Part Number	Replaced By	Status	Part Description
1	25-7941			"O" Ring, Agtr Drive Shaft
2	35-2835	21001066		Bearing, Centerpost
3	35-2792	21001401		Center Pos
4	33-6790			Bearing, Agitator
"	35-2983		Not Available	CENTERPOST ASSY.
5	35-2906			Seal, Centerpost Bottom
6	35-2791			Nut, Spin Tube
7	25-7938			"O" Ring, Basket Drive Hub
8	35-3647	W10219156		Tub Seal
"	35-2715		Not Available	BASKET DRIVE HUB ASSY
9	35-2974			Tub Seal/Hub Assembly
10	35-2716	12001561		Bearing And Seal Housing Assembly
11	35-2972	12001561		Bearing And Seal Housing Assembly
"	35-2205			Bearing, Spin

12	25-7949		Not Available	RING, RETAINING (AG. SHAFT)
13	25-7057			Washer, Flat
14	25-7051	25-7057		Washer, Flat
15	25-7895	21001858		Screw 5/16-18 x 1/2
16	35-2981			Cover, Reinforcement
17	25-7895	21001858		Screw 5/16-18 x 1/2
18	35-2621			Plug, Oil Fill
19	25-7926	25-7758		Screw
20	35-2971		Not Available	TRANSMISSION COVER ASSY.
"	35-2620		Not Available	COVER, TRANSMISSION
21	35-2903		Not Available	COUNTERWEIGHT
22	35-1030		Not Available	GASKET, TRANSMISSION HOUSING
23	25-7722	33-4293N		Gasket Kit
24	35-2708	35-3702		Drive Tube Assembly
"	35-3702			Drive Tube Assembly
25	35-3804			Linkage Assembly
"	35-3036	35-3804		Linkage Assembly
26	LA-2176		Not Available	CLUTCH ASSY.
27	25-7847			Ring, Retaining
28	25-7416		Not Available	WASHER, FLAT
"	25-7415		Not Available	WASHER, FLAT
29	33-6114	33-6463		Spring
30	35-2001			Pinion, Drive
31	33-3195		Not Available	SPRING
32	35-2692			Drive Shaft And Hub Assembly
33	25-7274		Not Available	WASHER, STEEL
34	35-2817	35-3825		Washer, Nylon
35	35-2070			Washer, Steel W/Tabs
36	25-7933			Ring, Retaining
37	35-2527			Gear, Cluster
38	35-2631		Not Available	GEAR, CRANK
39	35-2812		Not Available	HOUSING, TRANSMISSION
40	35-2010	207843		Lip Seal Repair Kit
41	35-2973	35-6680		Transmission
"	35-2730	12001562		Bearing Assembly
42	35-3724	21001518		Support, Tub
"	35-2732	21001518		Support, Tub
43	35-2798		Not Available	TUB BRACE
44	25-7930	21001858		Screw 5/16-18 x 1/2
45	35-2015		Not Available	SUSPENSION HOUSING
"	35-3698		Not Available	HOUSING, SUSPENSION
46	35-2017			Retainer, Brake Spring
47	35-2112	21001910		Spring, Brake
48	35-2025		Not Available	PLATE, REINFORCEMENT
"	25-7930	21001858		Screw 5/16-18 x 1/2
49	25-7895	21001858		Screw 5/16-18 x 1/2
50	35-2948	35-6714		Brake Roto
51	35-2357	21002026		Snubber
52	35-2018	35-6918		Stator, Brake
53	25-7900	21001065		Screw, No.10-24 x .50 Hxnibhd

54	W10124350		Not Available	NOT REQUIRED PART OR SEE NOTE
55	W10124350		Not Available	NOT REQUIRED PART OR SEE NOTE
56	W10124350		Not Available	NOT REQUIRED PART OR SEE NOTE
57	W10124350		Not Available	NOT REQUIRED PART OR SEE NOTE
58	W10124350		Not Available	NOT REQUIRED PART OR SEE NOTE
59	35-2683	12002213		Thrust Bearing Kit
60	35-2439	12002213		Thrust Bearing Kit
61	35-2132			Washer, 1.25ODX.530IDX.032
"	35-2082			Washer, 1.25ODX.530IDX.062
62	25-7854			Ring, Retaining
63	35-2007			Cap, Dust
64	12500036	12002213		Thrust Bearing Kit
NI	35-3748	35-6680		Transmission
"	LA-2175	35-6680		Transmission

