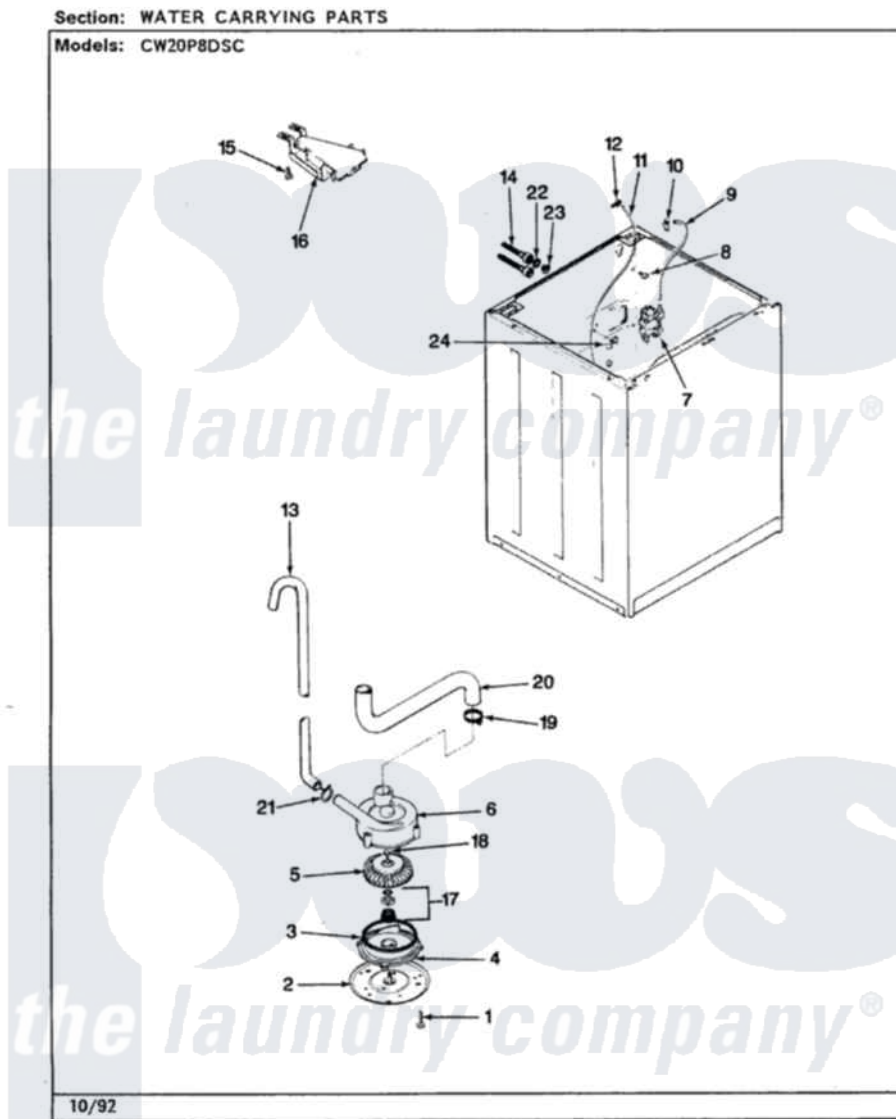


Crosley CW20P8DSC 06 - WATER CARRYING (CW20P8DSC)(REV. A-D)



Crosley [Residential Crosley CW20P8DSC Washer Parts](#) Parts Diagram 06 - WATER CARRYING (CW20P8DSC)(REV. A-D)

[Click on the part number to view part](#)

Item	Original Part Number	Replaced By	Status	Part Description
1	25-7405	3196164		Screw
2	33-6035		Not Available	PLATE & PULLEY ASSY.
3	33-6032			Gasket
4	35-2058			Base, Pump
5	35-2057	35-6465		Pump Assem
6	35-2344			Restrictor, Flow
"	35-2056		Not Available	HOUSING, PUMP
"	35-2099	35-6465		Pump Assem
7	35-2376	35-2374N		Valve, Water
"	25-7220			Clip, Cabinet Top
8	25-7867	596669		Clamp, Manifold
9	35-2378	12002749		Hose, Flume Kit
10	25-7867	596669		Clamp, Manifold
11	35-2322	21001748		Hose, Pressure Switch
"	35-2261		Not Available	PAD, PRESSURE SWITCH HOSE

12	33-6099		Clamp
13	33-9537	22003814	Retainer, Drain Hose
"	35-2804	21001872	Hose, Drain
14	33-7046	89503	Hose-Inlet
"	35-0873	76313	Hosefill
15	25-3092	90767	Screw, 8A X 3/8 HeX Washer Head Tapping
16	35-2051	21001760	Flume Assembly / Water Diverter
17	35-0707		Seal, Seat And "O" Ring
18	25-7894	W10001180	Screw
19	25-6069	Not Available	CORBIN CLAMP
"	25-6068	285655	Clamp, Hose
20	35-3584	21001915	Hose, Tub To Pump
"	35-2982		Hose Tub To Pump
21	25-7080	285655	Clamp, Hose
22	25-7048		Washer
23	33-7313	33-4264N	Strainer And Washer Kit
24	25-7796	596669	Clamp, Manifold

