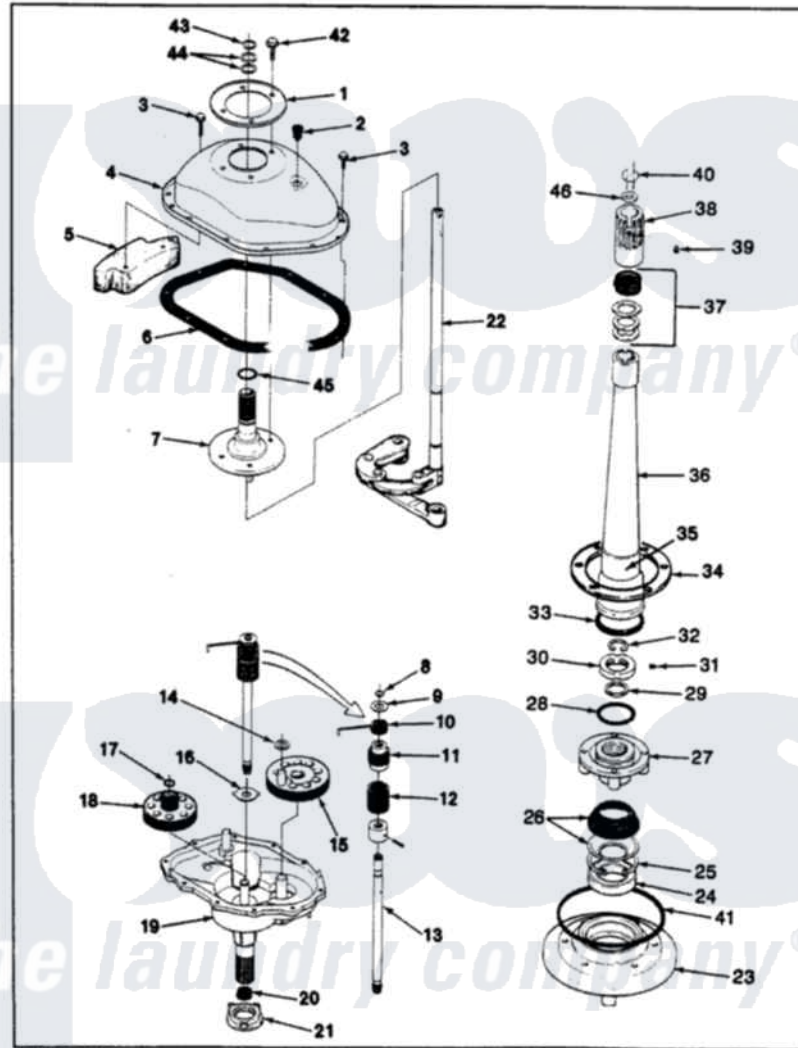


# Crosley CW20P8W 07 - TRANSMISSION (ORIG. REV. A-D)

CROSLLEY CW20P8 TRANSMISSION & RELATED PARTS



ISSUED 11/89

Crosley Residential Crosley CW20P8W Washer Parts Parts Diagram 07 - TRANSMISSION (ORIG. REV. A-D)  
 Click on the part number to view part

Item	Original Part Number	Replaced By	Status	Part Description
1	33-9893	<a href="#">33-7187</a>		Covr Reinforcmt
2	33-9373		Not Available	OIL FILL PLUG
3	<a href="#">25-7916</a>			Bolt
4	<a href="#">33-4286N</a>			Transmission Cover Kit
5	35-2130		Not Available	COUNTER WEIGHT
6	35-1030		Not Available	GASKET, TRANSMISSION HOUSING
7	33-8763	<a href="#">33-4286N</a>		Transmission Cover Kit
8	<a href="#">25-7847</a>			Ring, Retaining
9	25-7416		Not Available	WASHER, FLAT
10	33-6114	<a href="#">33-6463</a>		Spring
11	<a href="#">35-2001</a>			Pinion, Drive
12	33-3195		Not Available	SPRING
13	35-2116		Not Available	DRIVE SHAFT & HUB ASSY
"	<a href="#">LA-2005</a>			Clutch Assembly Kit
14	<a href="#">25-7091</a>			Thrust Washer
15	<a href="#">35-2043</a>			Crank Gear

16	<a href="#">35-2070</a>		Washer, Steel W/Tabs
"	35-2462	<a href="#">35-3825</a>	Washer, Nylon
"	25-7274		Not Available
17	25-7853	<a href="#">25-7933</a>	WASHER, STEEL
18	35-2013	<a href="#">35-0547</a>	Ring, Retaining
19	35-2012		Not Available
20	35-2010	<a href="#">207843</a>	Cluster Gear
21	35-2111	<a href="#">12001562</a>	TRANSMISSION HOUSING ASSY
22	35-0628	<a href="#">35-3573</a>	Lip Seal Repair Kit
23	35-2059	<a href="#">35-2450</a>	Bearing Assembly
24	<a href="#">35-2205</a>		Linkage As
25	<a href="#">25-7849</a>		Housing Assembly, Bearing And Seal
26	<a href="#">33-7224N</a>		Bearing, Spin
27	33-9987		Not Available
28	<a href="#">35-2061</a>		Retaining Ring
29	25-7722	<a href="#">33-4293N</a>	Tub Seal Assembly
30	33-9507	<a href="#">33-9504</a>	BASKET HUB ASM
31	<a href="#">25-7120</a>		Gasket, Tub To Housing
32	<a href="#">25-7848</a>		Gasket Kit
33	<a href="#">33-8718</a>		Locknut
34	<a href="#">35-0930</a>		Set Screw
35	<a href="#">33-6790</a>		Retaining Ring
36	33-4283N		Not Available
37	<a href="#">33-7806N</a>		Gasket
38	33-9729		Not Available
39	<a href="#">25-7378</a>		Gasket
40	<a href="#">33-6817</a>		Bearing, Agitator
41	<a href="#">35-2060</a>		CENTERPOST KIT
42	<a href="#">25-7359</a>		Seal Assembly
43	<a href="#">25-7848</a>		Not Available
44	<a href="#">25-7057</a>		DRIVE BLOCK ASM
45	25-7722	<a href="#">33-4293N</a>	Set Screw
46	<a href="#">25-7316</a>		Stud
			Seal, Tub To Housing
			Screw
			Retaining Ring
			Washer, Flat
			Gasket Kit
			Flat Washer

