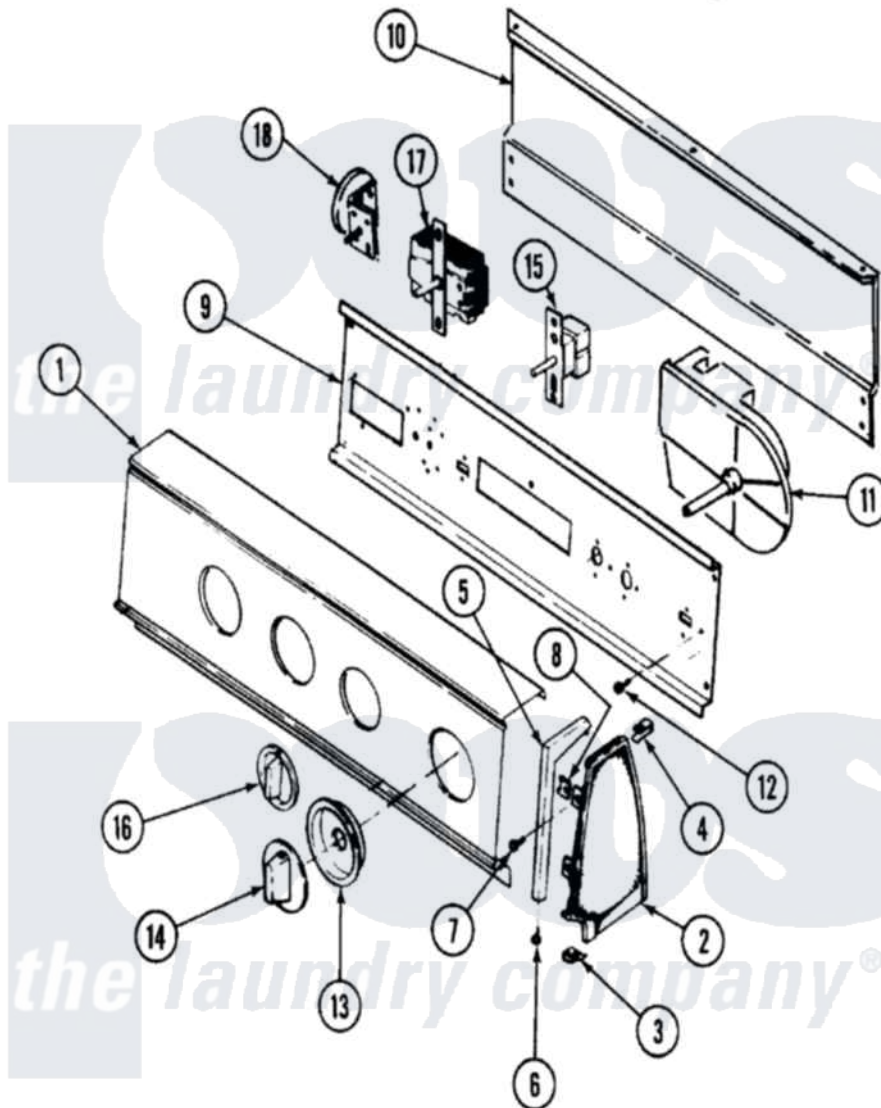


# Crosley CW20T7W 02 - CONTROL PANEL



Crosley [Residential Crosley CW20T7W Washer Parts](#) Parts Diagram 02 - CONTROL PANEL  
 Click on the part number to view part

| Item | Original Part Number    | Replaced By              | Status        | Part Description                        |
|------|-------------------------|--------------------------|---------------|---|
| 1    | <a href="#">25-7702</a> |                          |               | Speedclip, End Cap To Control Panel     |
| "    | <a href="#">25-7793</a> |                          |               | Screw                                   |
| "    | 35-3930                 |                          | Not Available | PANEL, CONTROL                          |
| 2    | 35-2487                 | <a href="#">21001451</a> |               | Cap- End                                |
| "    | 35-2488                 | <a href="#">21001452</a> |               | Cap- End                                |
| 3    | <a href="#">25-7851</a> |                          |               | Speedclip, End Cap To Top               |
| "    | 25-7697                 | <a href="#">25-2219</a>  |               | Screw                                   |
| 4    | 25-7435                 | <a href="#">33002917</a> |               | Screw, No.10-16                         |
| "    | <a href="#">25-7852</a> |                          |               | Speedclip, Rr Shld To End Cap           |
| 5    | 53-0277                 |                          | Not Available | TRIM, END CAP (RT)                      |
| "    | 53-0278                 |                          | Not Available | TRIM, END CAP (LT)                      |
| 6    | <a href="#">25-7760</a> |                          |               | Screw                                   |
| 7    | 25-3092                 | <a href="#">90767</a>    |               | Screw, 8A X 3/8 HeX Washer Head Tapping |
| 8    | <a href="#">25-7702</a> |                          |               | Speedclip, End Cap To Control Panel     |

|    |                          |                          |  |
|----|--------------------------|--------------------------|--|
| 9  | <a href="#">53-1676</a>  |                          | Shield, Control                          |
| "  | 31001146                 | <a href="#">31001193</a> | Pad, Shield                              |
| "  | 31001128                 |                          | Not Available SHIELD, CONTROL            |
| "  | 53-2504                  | <a href="#">31001193</a> | Pad, Shield                              |
| 10 | <a href="#">25-3457</a>  |                          | Screw, Sems                              |
| "  | 25-3092                  | <a href="#">90767</a>    | Screw, 8A X 3/8 HeX Washer Head Tapping  |
| "  | 25-7853                  | <a href="#">25-7933</a>  | Ring, Retaining                          |
| "  | 35-2688                  | <a href="#">21001460</a> | Shield, Rear                             |
| 11 | <a href="#">35-3841</a>  |                          | Timer                                    |
| 12 | 31001029                 | <a href="#">3400094</a>  | Screw, 10-32 X 3/8                       |
| 13 | 35-4197                  | <a href="#">12500058</a> | Knob Ski                                 |
| 14 | 35-4195                  | <a href="#">12500058</a> | Knob Ski                                 |
| 15 | 35-0124                  |                          | Not Available SWITCH, WATER TEMPERATURE  |
| "  | <a href="#">21001139</a> |                          | Switch, Water Temp. 3 Position           |
| "  | 25-3092                  | <a href="#">90767</a>    | Screw, 8A X 3/8 HeX Washer Head Tapping  |
| 16 | 35-3974                  | <a href="#">22001267</a> | Knob, Selector Switch                    |
| 17 | 21001140                 | <a href="#">21001898</a> | Switch, Speed                            |
| "  | 25-3092                  | <a href="#">90767</a>    | Screw, 8A X 3/8 HeX Washer Head Tapping  |
| "  | 35-3858                  |                          | Not Available SWITCH, SPEED              |
| 18 | 35-3691                  | <a href="#">21001554</a> | Switch, Water Level                      |
| "  | 25-3092                  | <a href="#">90767</a>    | Screw, 8A X 3/8 HeX Washer Head Tapping  |
| NI | 35-3946-1                |                          | Not Available MANUAL, USE & CARE         |
| "  | 21001033                 |                          | Not Available MANUAL, USE & CARE         |
| "  | 16002080                 |                          | Not Available GUIDE, QUICK REF - CROSLEY |

