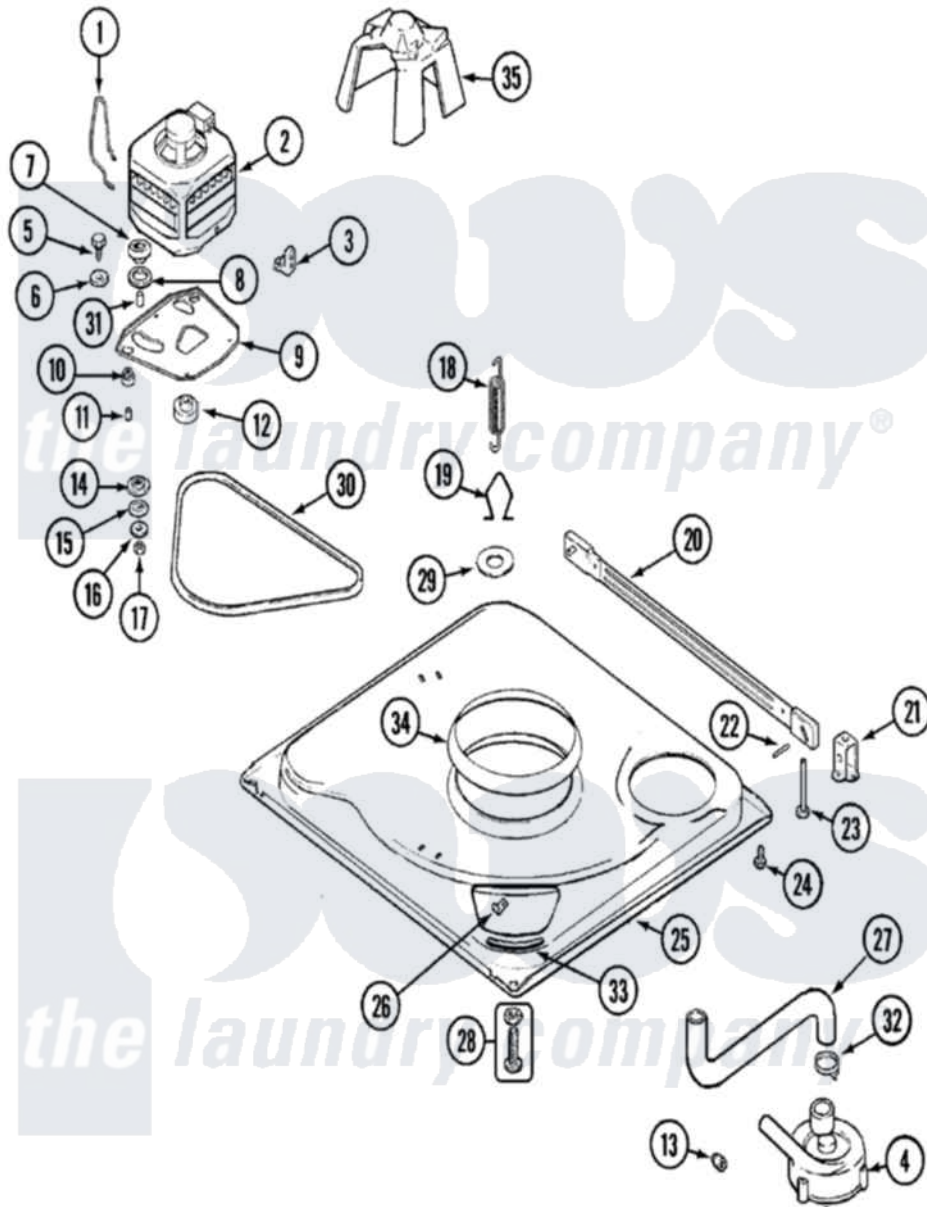


# Crosley CW6000Q 01 - BASE



Crosley [Residential Crosley CW6000Q Washer Parts](#) Parts Diagram 01 - BASE  
 Click on the part number to view part

Item	Original Part Number	Replaced By	Status	Part Description
1	21001110	<a href="#">22004376</a>		Spring, Motor Pivot
2	21001750	<a href="#">21001950</a>		MoTor, 2SP 1/2hp 120V/60Hz Hi-Tor
3	<a href="#">21001486</a>			Foot Slide, Isolator
4	21001873	<a href="#">35-6780</a>		Pump-Water
"	21001732	<a href="#">35-6465</a>		Pump Assem
5	25-7833	<a href="#">21001977</a>		Screw
6	<a href="#">25-7834</a>			Washer, Motor/Base Screw
7	<a href="#">33-9946</a>			Isolator, Motor
8	<a href="#">35-3570</a>			Washer, Motor Pivot
9	21001111	<a href="#">21001783</a>		Plate And Screw Assembly
10	<a href="#">35-3646</a>			Isolator, Motor Plate
11	<a href="#">25-7831</a>			Spacer, Mounting
12	<a href="#">25-7117</a>			Set Screw
"	21001506	<a href="#">21001950</a>		MoTor, 2SP 1/2hp 120V/60Hz Hi-Tor
13	<a href="#">22002721</a>			Shield, Motor

14	<a href="#">35-3571</a>		Slide, Motor Pivot
15	<a href="#">33-9967</a>		Washer, Motor Isolator
16	<a href="#">25-7047</a>		Washer, Flat
17	25-7325	<a href="#">Y707702</a>	Locknut
18	<a href="#">21001598</a>		Spring, Suspension
19	<a href="#">21001166</a>		Hook, Suspension Spring
20	21001754	<a href="#">21001881</a>	Bar, Stabilizer
21	<a href="#">35-2046</a>		Bracket, Stabilizer
22	<a href="#">35-2052</a>		Pin, Stabilizer
23	35-3020	<a href="#">22004469</a>	Leg And Foot Self Stabalizing
24	25-7828	<a href="#">489483</a>	Screw 10-32 X 1/2
25	21001169	<a href="#">12002701</a>	Base Kit
"	21001893	<a href="#">12002701</a>	Base Kit
26	<a href="#">25-7845</a>		Speednut, Motor
27	<a href="#">21001915</a>		Hose, Tub To Pump
"	35-3584	<a href="#">21001915</a>	Hose, Tub To Pump
28	35-3507	<a href="#">25001119</a>	Foot And Pad Assembly
29	21001161	<a href="#">21002026</a>	Snubber
30	<a href="#">21352320</a>		Belt, Drive
31	<a href="#">25-7830</a>		Spacer
32	25-6068	<a href="#">285655</a>	Clamp, Hose
33	<a href="#">35-2065</a>		Pad, Motor Plate

