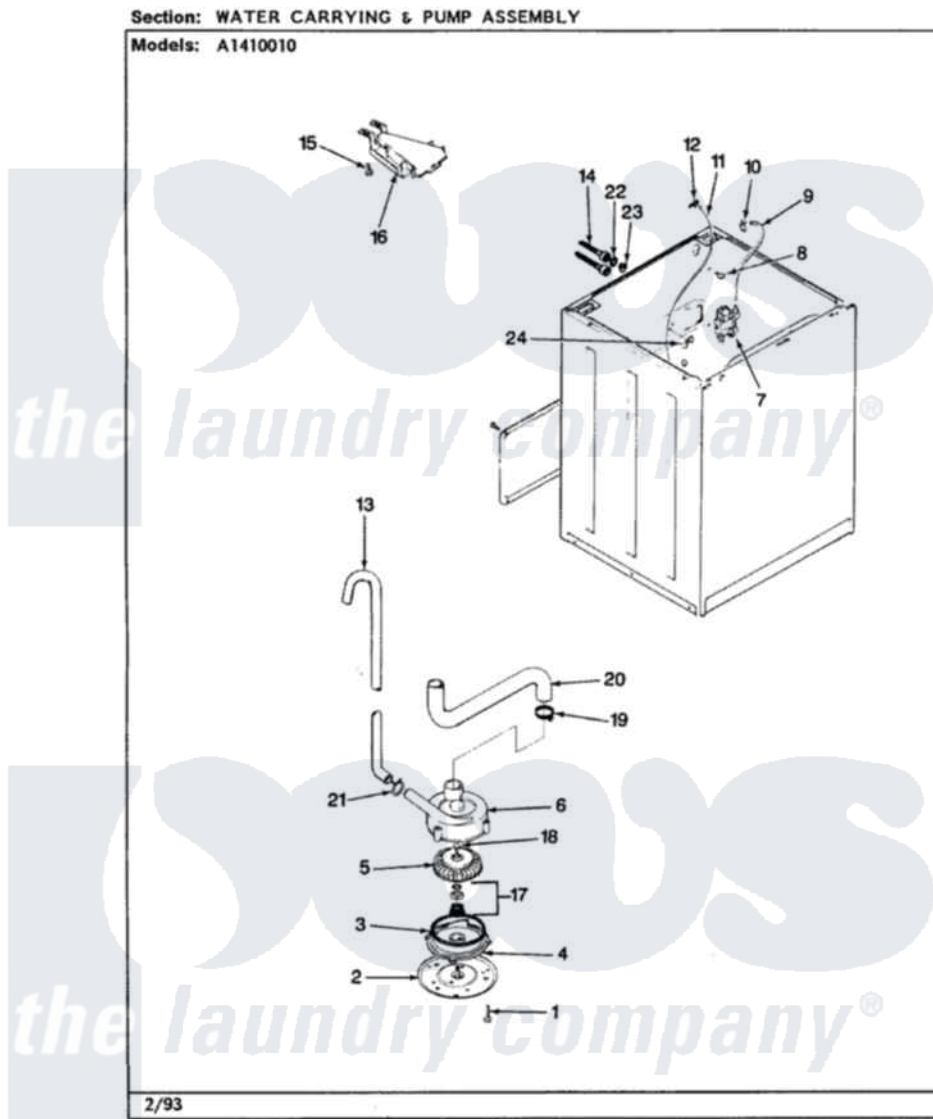


Hoover A1410010 06 - WATER CARRYING (REV. F)



Hoover [Residential Hoover A1410010 Washer Parts](#) Parts Diagram 06 - WATER CARRYING (REV. F)
Click on the part number to view part

Item	Original Part Number	Replaced By	Status	Part Description
1	25-7405	3196164		Screw
2	33-6035		Not Available	PLATE & PULLEY ASSY.
3	33-6032			Gasket
4	35-2058			Base, Pump
5	35-2057	35-6465		Pump Assem
6	35-2056		Not Available	HOUSING, PUMP
"	35-2099	35-6465		Pump Assem
7	35-2375			Valve, Water Mixing-230V
"	25-7220			Clip, Cabinet Top
8	25-7867	596669		Clamp, Manifold
9	35-2378	12002749		Hose, Flume Kit
10	25-7867	596669		Clamp, Manifold
11	35-2261		Not Available	PAD, PRESSURE SWITCH HOSE
"	35-2322	21001748		Hose, Pressure Switch
12	33-6099			Clamp
13	35-2896	211704		Hose, Drain

14	35-0873	76313	Hosefill
"	35-2378	12002749	Hose, Flume Kit
15	25-3092	90767	Screw, 8A X 3/8 HeX Washer Head Tapping
16	35-2051	21001760	Flume Assembly / Water Diverter
17	35-0707		Seal, Seat And "O" Ring
18	25-7894	W10001180	Screw
19	25-6069	Not Available	CORBIN CLAMP
20	35-2982		Hose Tub To Pump
21	25-7080	285655	Clamp, Hose
22	25-7048		Washer
23	33-7313	33-4264N	Strainer And Washer Kit
24	25-7796	596669	Clamp, Manifold

