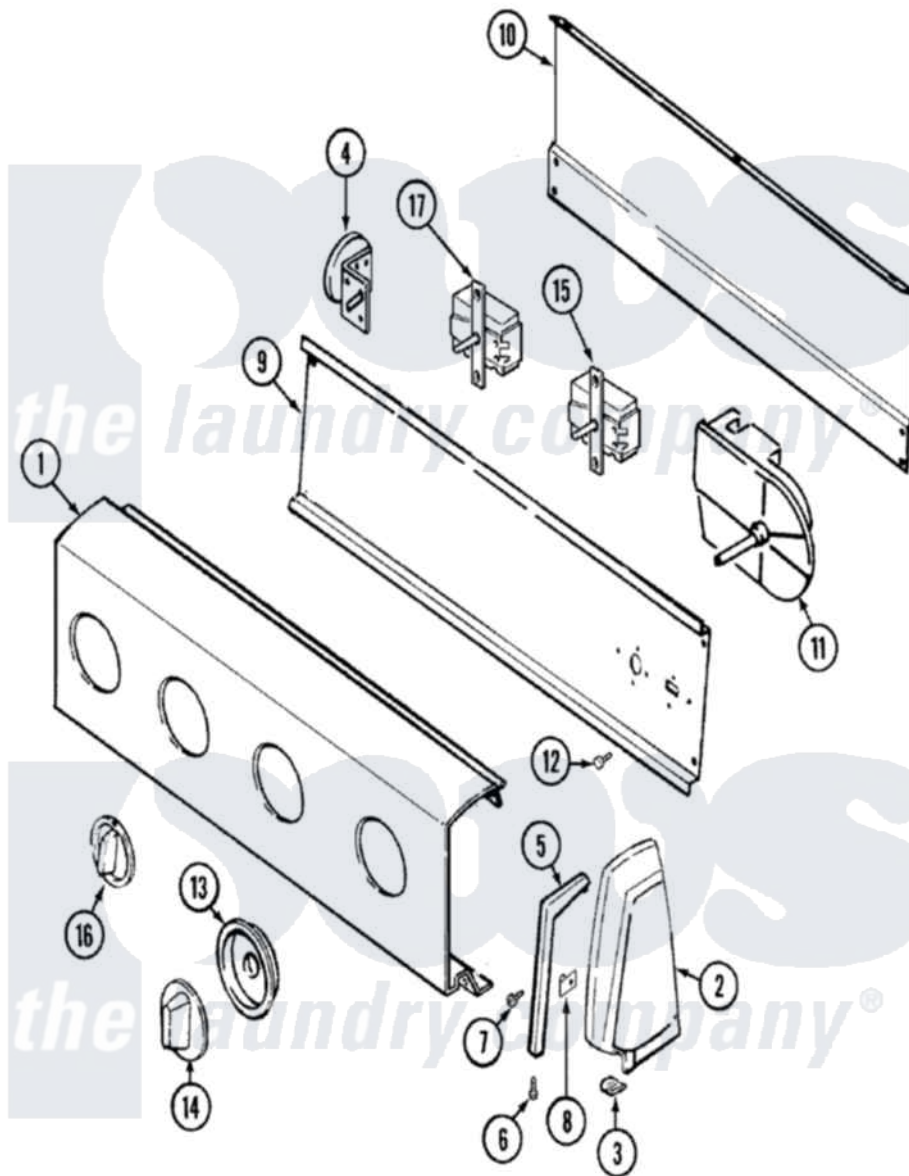


# Hoover HWA2000AW 02 - CONTROL PANEL



Hoover [Residential Hoover HWA2000AW Washer Parts](#) Parts Diagram 02 - CONTROL PANEL  
 Click on the part number to view part

Item	Original Part Number	Replaced By	Status	Part Description
1	<a href="#">25-7702</a>			Speedclip, End Cap To Control Panel
"	25-7496	<a href="#">25-7760</a>		Screw
"	21001020		Not Available	PANEL, CONTROL
2	35-2487	<a href="#">21001451</a>		Cap- End
"	35-2488	<a href="#">21001452</a>		Cap- End
3	25-7697	<a href="#">25-2219</a>		Screw
"	<a href="#">25-7851</a>			Speedclip, End Cap To Top
4	25-7435	<a href="#">33002917</a>		Screw, No.10-16
"	35-3691	<a href="#">21001554</a>		Switch, Water Level
5	53-0278		Not Available	TRIM, END CAP (LT)
"	53-0277		Not Available	TRIM, END CAP (RT)
6	<a href="#">25-7760</a>			Screw
7	25-3092	<a href="#">90767</a>		Screw, 8A X 3/8 HeX Washer Head Tapping
8	<a href="#">25-7702</a>			Speedclip, End Cap To Control Panel

9	25-3092	<a href="#">90767</a>	Screw, 8A X 3/8 HeX Washer Head Tapping
"	<a href="#">53-1676</a>		Shield, Control
"	53-2504	<a href="#">31001193</a>	Pad, Shield
"	31001128		Not Available SHIELD, CONTROL
10	25-3092	<a href="#">90767</a>	Screw, 8A X 3/8 HeX Washer Head Tapping
"	<a href="#">25-3457</a>		Screw, Sems
"	35-2688	<a href="#">21001460</a>	Shield, Rear
11	21001339		Not Available TIMER
"	<a href="#">35-3838</a>		Timer
12	25-0205	<a href="#">216412</a>	Screw, Bracket To Timer
13	35-2255	<a href="#">21001497</a>	Skirt Ri
"	35-3964	<a href="#">21001497</a>	Skirt Ri
14	35-2486	<a href="#">12500058</a>	Knob Ski
"	<a href="#">21001282</a>		Knob, Timer
15	25-3092	<a href="#">90767</a>	Screw, 8A X 3/8 HeX Washer Head Tapping
"	21001227	<a href="#">21001673</a>	Switch, Speed 4 Pos Rotary
"	35-0162		Not Available ROTARY SWITCH
16	35-2185	<a href="#">21001283</a>	Knob, Selector---Piq
"	<a href="#">21001283</a>		Knob, Selector---Piq
17	25-3092	<a href="#">90767</a>	Screw, 8A X 3/8 HeX Washer Head Tapping
"	35-4010		Not Available SWITCH, ROTARY
"	21001224	<a href="#">21001676</a>	Switch, Water Temperature
18	21001033		Not Available MANUAL, USE & CARE
19	21001025		Not Available MANUAL, USE & CARE

*the laundry company*<sup>®</sup>

*the laundry company*<sup>®</sup>