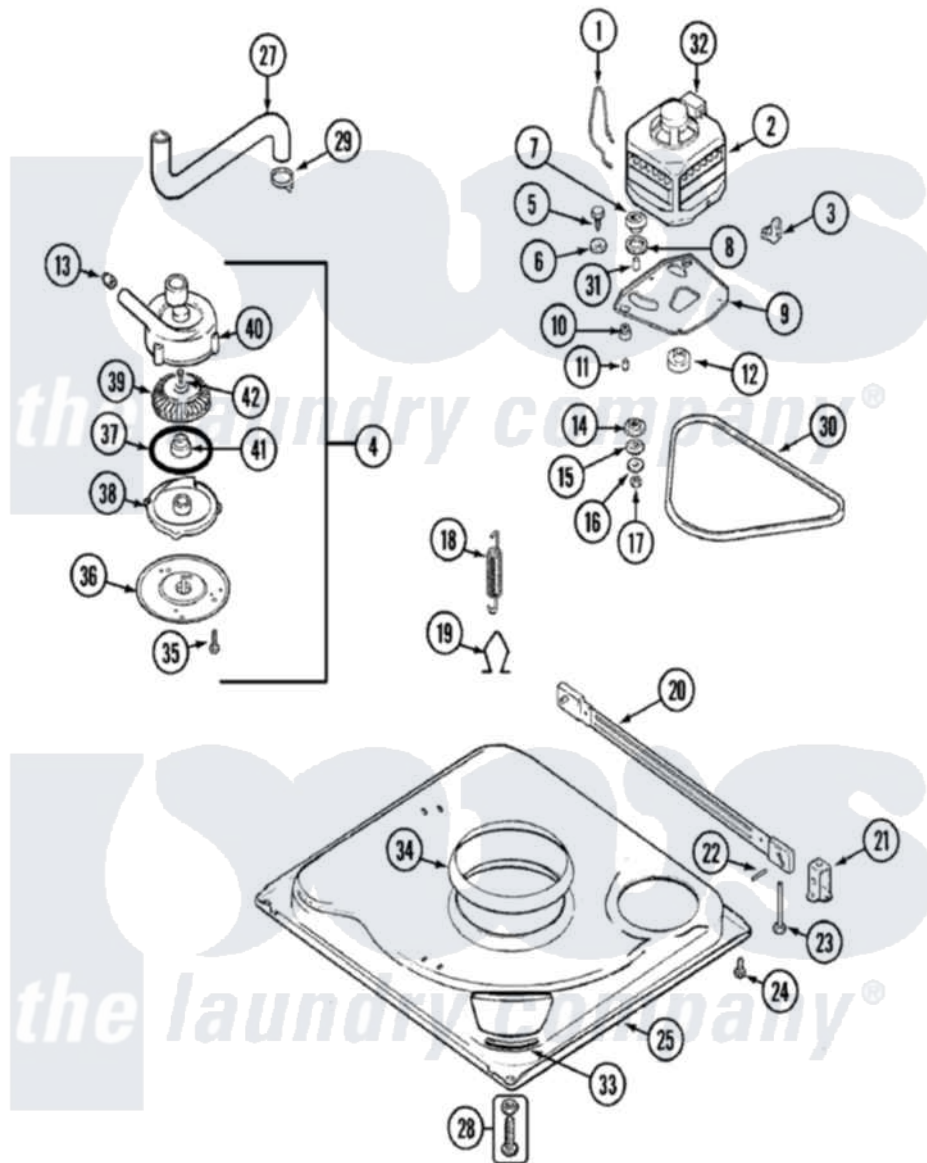


# Hoover LATH100AKV 01 - BASE



Hoover [Residential Hoover LATH100AKV Washer Parts](#) Parts Diagram 01 - BASE  
 Click on the part number to view part

Item	Original Part Number	Replaced By	Status	Part Description
1	21001110	<a href="#">22004376</a>		Spring, Motor Pivot
2	21001231	<a href="#">LA-2003</a>		Motor Replacement Kit
3	21001109	<a href="#">21001486</a>		Foot Slide, Isolator
4	35-2099	<a href="#">35-6465</a>		Pump Assem
5	25-7833	<a href="#">21001977</a>		Screw
6	<a href="#">25-7834</a>			Washer, Motor/Base Screw
7	<a href="#">33-9946</a>			Isolator, Motor
8	<a href="#">35-3570</a>			Washer, Motor Pivot
9	21001111	<a href="#">21001783</a>		Plate And Screw Assembly
10	<a href="#">35-3646</a>			Isolator, Motor Plate
11	<a href="#">25-7831</a>			Spacer, Mounting
12	35-2124	<a href="#">W10143344</a>		Pulley
13	<a href="#">35-2344</a>			Restrictor, Flow
14	<a href="#">35-3571</a>			Slide, Motor Pivot
15	<a href="#">33-9967</a>			Washer, Motor Isolator
16	<a href="#">25-7047</a>			Washer, Flat

17	25-7325	<a href="#">Y707702</a>	Locknut
18	<a href="#">21001165</a>		Spring, Suspension
"	21001138	<a href="#">22002922</a>	Tool, Spring Removal
19	<a href="#">21001166</a>		Hook, Suspension Spring
20	35-2049	<a href="#">21001881</a>	Bar, Stabilizer
21	<a href="#">35-2046</a>		Bracket, Stabilizer
22	<a href="#">35-2052</a>		Pin, Stabilizer
23	35-3020	<a href="#">22004469</a>	Leg And Foot Self Stabalizing
24	25-7828	<a href="#">489483</a>	Screw 10-32 X 1/2
25	21001169	<a href="#">12002701</a>	Base Kit
26	<a href="#">25-7845</a>		Speednut, Motor
27	35-3584	<a href="#">21001915</a>	Hose, Tub To Pump
28	35-3507	<a href="#">25001119</a>	Foot And Pad Assembly
29	25-6068	<a href="#">285655</a>	Clamp, Hose
30	<a href="#">21352320</a>		Belt, Drive
31	<a href="#">25-7830</a>		Spacer
32	<a href="#">33-9765</a>		Switch, Motor
33	<a href="#">35-2065</a>		Pad, Motor Plate
34	21001161	<a href="#">21002026</a>	Snubber
35	25-7419	Not Available	SCREW
36	33-6035	Not Available	PLATE & PULLEY ASSY.
37	<a href="#">33-6032</a>		Gasket
38	<a href="#">35-2058</a>		Base, Pump
39	35-2057	<a href="#">35-6465</a>	Pump Assem
40	35-2056	Not Available	HOUSING, PUMP
41	<a href="#">35-0707</a>		Seal, Seat And "O" Ring
42	25-7828	<a href="#">489483</a>	Screw 10-32 X 1/2

*the laundry company*<sup>®</sup>

*the laundry company*<sup>®</sup>