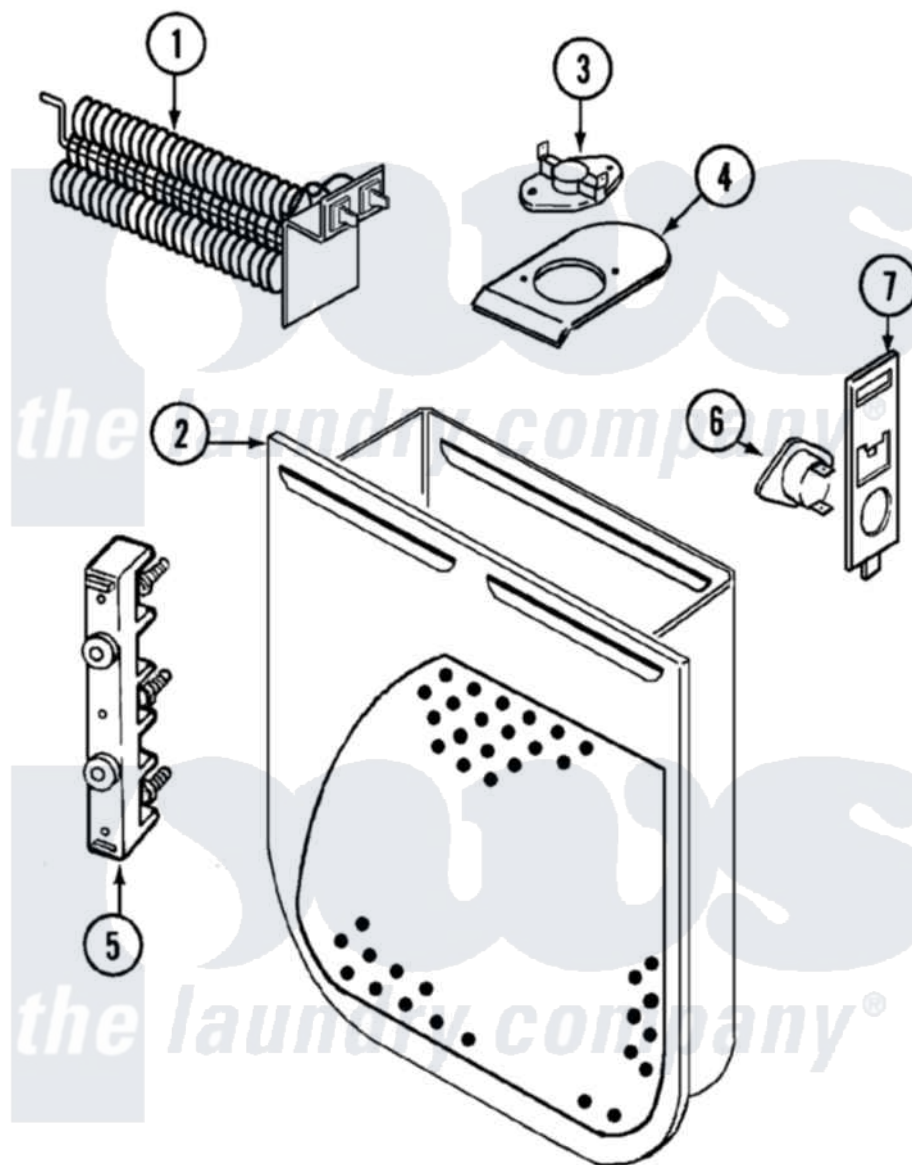


# Hoover LDEH200ACV 04 - HEATER



Hoover [Residential Hoover LDEH200ACV Dryer Parts](#) Parts Diagram 04 - HEATER  
 Click on the part number to view part

| Item | Original Part Number    | Replaced By               | Status        | Part Description          |
|------|-------------------------|---------------------------|---------------|---------------------------|
| 1    | <a href="#">25-7863</a> |                           |               | Screw                     |
| "    | 53-1641                 | <a href="#">LA-1044</a>   |               | Element                   |
| 2    | 25-7819                 | <a href="#">M0217225</a>  |               | Screw                     |
| "    | <a href="#">53-1232</a> |                           |               | Heater Housing Assembly   |
| 3    | <a href="#">53-0771</a> |                           |               | Thermostat, Hi-Limit      |
| "    | 25-6121                 | <a href="#">212951</a>    |               | Screw, No.6-32 X 1/4 Inch |
| 4    | 25-7741                 | <a href="#">W10116760</a> |               | Screw                     |
| "    | <a href="#">53-0285</a> |                           |               | Bracket, Thermostat       |
| 5    | 53-0965                 |                           | Not Available | STRAP, GROUND             |
| "    | <a href="#">53-1518</a> |                           |               | Block, Terminal           |
| "    | 25-0027                 | <a href="#">112432</a>    |               | Nut                       |
| "    | 25-7803                 | <a href="#">3400074</a>   |               | Screw                     |
| "    | 25-6124                 |                           | Not Available | NUT                       |
| "    | 25-3123                 |                           | Not Available | WASHER, CUP               |
| "    | <a href="#">25-3122</a> |                           |               | Washer, Flat              |
| 6    | <a href="#">53-1182</a> |                           |               | Fuse, Thermal             |

