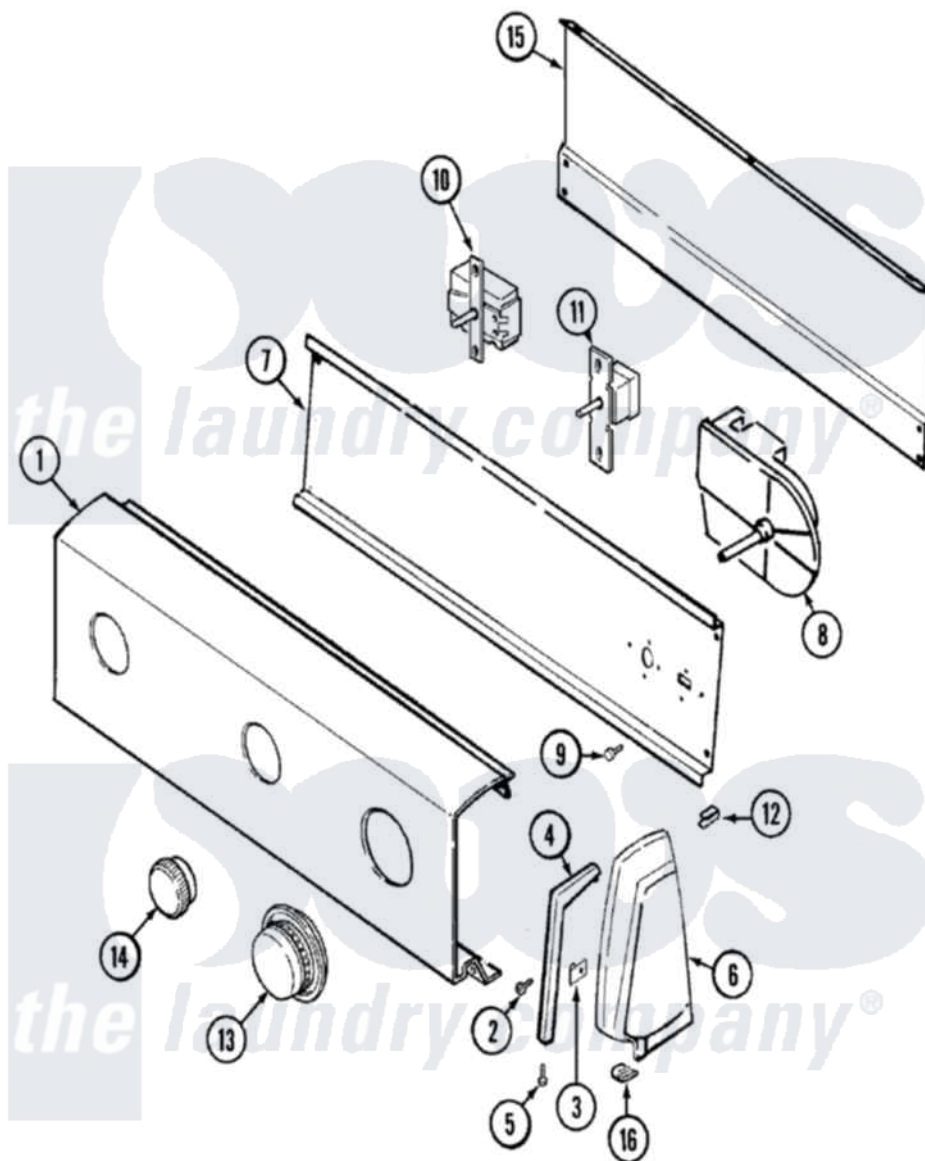


Hoover LDEH200AGV 02 - CONTROL PANEL



Hoover [Residential Hoover LDEH200AGV Dryer Parts](#) Parts Diagram 02 - CONTROL PANEL
 Click on the part number to view part

| Item | Original Part Number | Replaced By | Status | Part Description |
|------|--------------------------|---------------------------|---------------|---|
| 1 | 31001312 | | | Panel, Control |
| " | 25-3457 | | | Screw, Sems |
| 2 | 25-7793 | | | Screw |
| 3 | 25-7702 | | | Speedclip, End Cap To Control Panel |
| 4 | 31001054 | | Not Available | TRIM, ENDCAP (RT WHT) |
| " | 31001055 | | Not Available | TRIM, ENDCAP (LT WHT) |
| 5 | 25-7760 | | | Screw |
| 6 | 35-2669 | | Not Available | CAP, END (LT)(WHT) |
| " | 35-2668 | 21001453 | | Cap- End |
| 7 | 21001303 | | Not Available | SHIELD, CONTROL |
| " | 25-3092 | 90767 | | Screw, 8A X 3/8 HeX Washer Head Tapping |
| " | 53-2504 | 31001193 | | Pad, Shield |
| 8 | 31001003 | 31001532 | | Timer |
| " | 31001069 | 31001514 | | Resistor Assembly |
| 9 | 31001119 | W10116760 | | Screw |

| | | | |
|----|--------------------------|--------------------------|---|
| 10 | 31001243 | 31001445 | Switch, Temperature |
| 11 | 31001190 | | Switch, Two Position Rotary |
| " | 25-3092 | 90767 | Screw, 8A X 3/8 HeX Washer Head Tapping |
| 12 | 25-7852 | | Speedclip, Rr Shld To End Cap |
| 13 | 31001195 | 53-2525 | Knob And Skirt Assembly |
| 14 | 21001239 | | Knob, Selector |
| 15 | 25-3457 | | Screw, Sems |
| " | 25-3092 | 90767 | Screw, 8A X 3/8 HeX Washer Head Tapping |
| " | 35-2688 | 21001460 | Shield, Rear |
| 16 | 25-7851 | | Speedclip, End Cap To Top |
| " | 25-2219 | | Screw |
| 17 | 31001314 | Not Available | MANUAL, USE & CARE |

the laundry company[®]

the laundry company[®]

the laundry company[®]