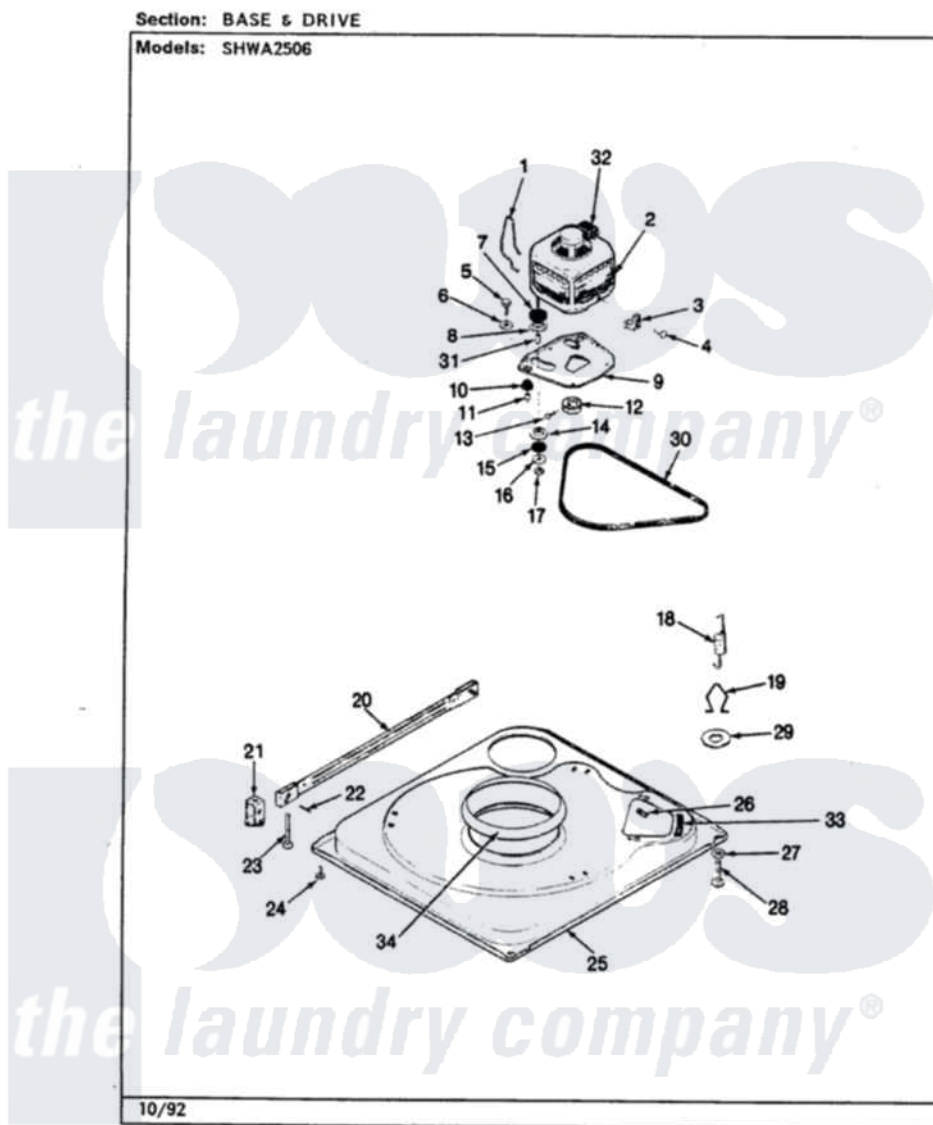


Hoover SHWA2506A 01 - BASE & DRIVE (ORIG. - REV. D)



Hoover [Residential Hoover SHWA2506A Washer Parts](#) Parts Diagram 01 - BASE & DRIVE (ORIG. - REV. D)
Click on the part number to view part

Item	Original Part Number	Replaced By	Status	Part Description
1	35-0235			Spring, Motor Pivot
2	LA-2003			Motor Replacement Kit
3	33-9945			Slide, Foot
4	25-7418	33001178		Back, Tumbler
5	25-7833	21001977		Screw
6	25-7834			Washer, Motor/Base Screw
7	33-9946			Isolator, Motor
8	33-9944	35-3570		Washer, Motor Pivot
9	35-2810	21001783		Plate And Screw Assembly
10	33-9941	35-3646		Isolator, Motor Plate
11	25-7831			Spacer, Mounting
12	33-1171	21001833		Pulley, Motor
13	25-7117			Set Screw
14	33-9943	35-3571		Slide, Motor Pivot
15	33-9967			Washer, Motor Isolator
16	25-7047			Washer, Flat

17	25-7325	Y707702	Locknut
18	35-3658		Spring, Suspension
"	35-2681		Not Available
			SPRING, SUSPENSION
19	35-2976		Not Available
			HOOK, SUSPENSION SPRING
20	35-2049	21001881	Bar, Stabilizer
21	35-2046		Bracket, Stabilizer
22	35-2052		Pin, Stabilizer
23	35-2050	22004469	Leg And Foot Self Stabalizing
24	35-2039		Not Available
			PAD, FOOT
"	25-7828	489483	Screw 10-32 X 1/2
25	35-2984		Not Available
			BASE
26	25-7838	25-7845	Speednut, Motor
27	25-7915		Hex Nut
28	35-0837	25001119	Foot And Pad Assembly
"	35-0772	25001119	Foot And Pad Assembly
29	Y25-7951		Washer, Suspension Hook
30	35-2279		Belt, Drive
31	25-7830		Spacer
32	33-9765		Switch, Motor
33	35-2065		Pad, Motor Plate
34	35-2357	21002026	Snubber

