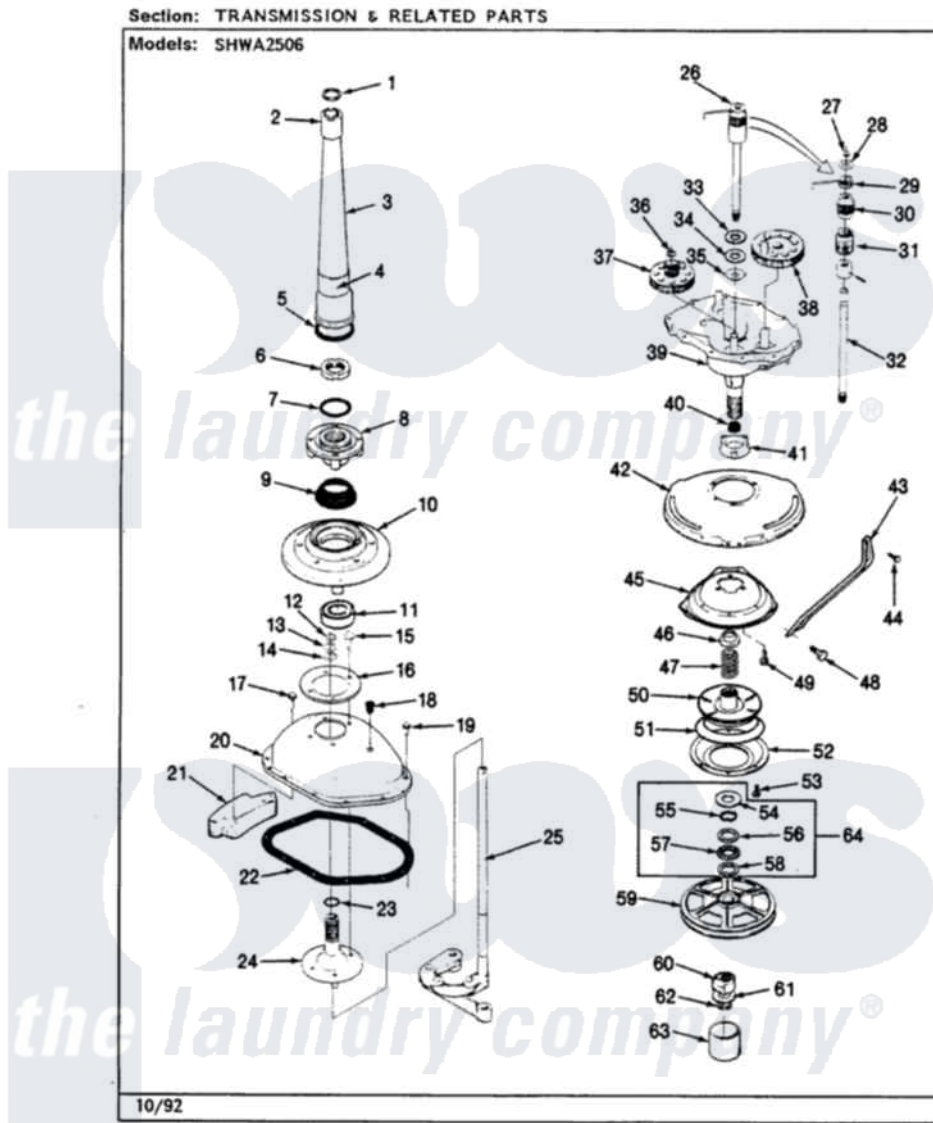


Hoover SHWA2506A 03 - TRANSMISSION (ORIG. - REV. D)



Hoover [Residential Hoover SHWA2506A Washer Parts](#) Parts Diagram 03 - TRANSMISSION (ORIG. - REV. D)
Click on the part number to view part

Item	Original Part Number	Replaced By	Status	Part Description
1	LA-2175	35-6680		Transmission
"	35-3748	35-6680		Transmission
"	25-7941			"O" Ring, Agrtr Drive Shaft
2	35-2835	21001066		Bearing, Centerpost
3	35-2792	21001401		Center Pos
4	33-6790			Bearing, Agitator
"	35-2983		Not Available	CENTERPOST ASSY.
5	35-2906			Seal, Centerpost Bottom
6	35-2791			Nut, Spin Tube
7	25-7938			"O" Ring, Basket Drive Hub
8	35-2715		Not Available	BASKET DRIVE HUB ASSY
"	35-3647	W10219156		Tub Seal
9	35-2974			Tub Seal/Hub Assembly
10	35-2716	12001561		Bearing And Seal Housing Assembly
11	35-2972	12001561		Bearing And Seal Housing Assembly

"	35-2205		Bearing, Spin
12	25-7949	Not Available	RING, RETAINING (AG. SHAFT)
13	25-7057		Washer, Flat
14	25-7051	25-7057	Washer, Flat
15	25-7895	21001858	Screw 5/16-18 x 1/2
16	35-2981		Cover, Reinforcement
17	25-7895	21001858	Screw 5/16-18 x 1/2
18	35-2621		Plug, Oil Fill
19	25-7926	25-7758	Screw
20	35-2971	Not Available	TRANSMISSION COVER ASSY.
"	35-2620	Not Available	COVER, TRANSMISSION
21	35-2903	Not Available	COUNTERWEIGHT
22	35-1030	Not Available	GASKET, TRANSMISSION HOUSING
23	25-7722	33-4293N	Gasket Kit
24	35-3702		Drive Tube Assembly
"	35-2708	35-3702	Drive Tube Assembly
25	35-3036	35-3804	Linkage Assembly
"	35-3804		Linkage Assembly
26	LA-2176	Not Available	CLUTCH ASSY.
27	25-7847		Ring, Retaining
28	25-7415	Not Available	WASHER, FLAT
"	25-7416	Not Available	WASHER, FLAT
29	33-6114	33-6463	Spring
30	35-2001		Pinion, Drive
31	33-3195	Not Available	SPRING
32	35-2692		Drive Shaft And Hub Assembly
33	25-7274	Not Available	WASHER, STEEL
34	35-2817	35-3825	Washer, Nylon
35	35-2070		Washer, Steel W/Tabs
36	25-7933		Ring, Retaining
37	35-2527		Gear, Cluster
38	35-2631	Not Available	GEAR, CRANK
39	35-2812	Not Available	HOUSING, TRANSMISSION
40	35-2010	207843	Lip Seal Repair Kit
41	35-2730	12001562	Bearing Assembly
"	35-2973	35-6680	Transmission
42	35-2732	21001518	Support, Tub
"	35-3724	21001518	Support, Tub
43	35-2798	Not Available	TUB BRACE
44	25-7930	21001858	Screw 5/16-18 x 1/2
45	35-2015	Not Available	SUSPENSION HOUSING
"	35-3698	Not Available	HOUSING, SUSPENSION
46	35-2017		Retainer, Brake Spring
47	35-2112	21001910	Spring, Brake
48	25-7930	21001858	Screw 5/16-18 x 1/2
"	35-2025	Not Available	PLATE, REINFORCEMENT
49	25-7895	21001858	Screw 5/16-18 x 1/2
50	35-2948	35-6714	Brake Roto
51	35-2357	21002026	Snubber
52	35-2018	35-6918	Stator, Brake

53	25-7900	21001065	Screw, No.10-24 x .50 Hxnibhd
54	W10124350		Not Available
55	W10124350		Not Available
56	W10124350		Not Available
57	W10124350		Not Available
58	W10124350		Not Available
59	35-2683	12002213	Thrust Bearing Kit
60	35-2439	12002213	Thrust Bearing Kit
61	35-2132		Washer, 1.25ODX.530IDX.032
"	35-2082		Washer, 1.25ODX.530IDX.062
62	25-7854		Ring, Retaining
63	35-2007		Cap, Dust
64	12500036	12002213	Thrust Bearing Kit

