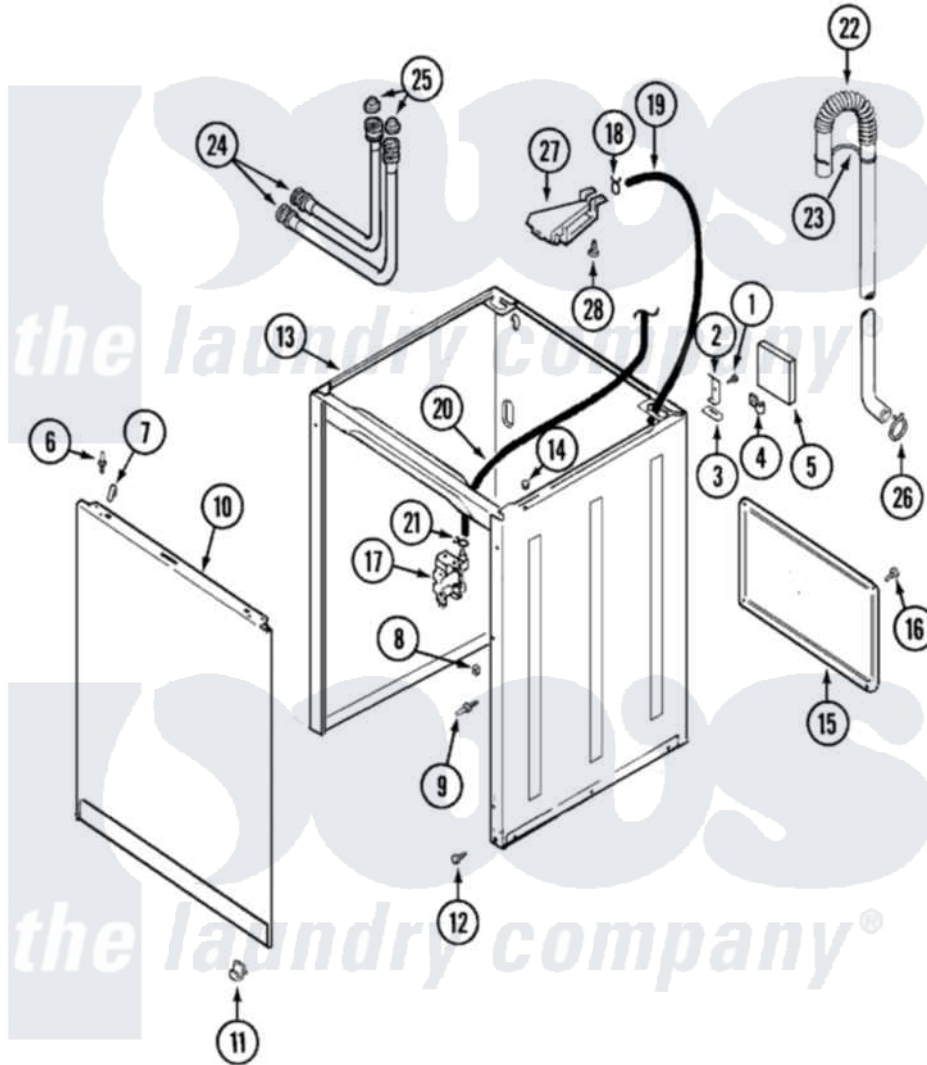


Jenn-Air JW1000A 02 - CABINET



Jenn-Air [Residential Jenn-Air JW1000A Washer Parts](#) Parts Diagram 02 - CABINET
 Click on the part number to view part

| Item | Original Part Number | Replaced By | Status | Part Description |
|------|----------------------------|--------------------------|---------------|--------------------------|
| 1 | 25-7893 | | | Screw |
| 2 | 35-2846 | | | Hinge, Cabinet Top |
| 3 | 35-4128 | | | Pad, Hinge |
| 4 | 25-7027 | 16515 | | Clip |
| 5 | 35-0706 | | Not Available | PAD, FOAM |
| 6 | 53-0643 | | | Pin, Locator |
| 7 | 25-7220 | | | Clip, Cabinet Top |
| 8 | 25-0224 | 3400029 | | Nut, Adapter Plate |
| 9 | 53-0643 | | | Pin, Locator |
| " | 53-0200 | | | Sleeve, Locator Pin |
| 10 | 35-2084-24 | | | Panel, Front |
| " | 21001281 | | | Damper, Sound Pad |
| 11 | 25-7732 | 681414 | | Screw, 10AB X 1/2 |
| " | 53-0120 | | | Clip, Front Panel |
| 12 | 35-4129 | | | Bumper, Cabinet |
| 13 | 35-2106-24 | 12001802 | | Kit, Cabinet/Rear Shield |

| | | | |
|----|--------------------------|--------------------------|-----------------------------------------|
| 14 | 33-2653 | | Bumper, Cabinet |
| 15 | 35-2108 | 21001871 | Cabinet |
| 16 | 25-7732 | 681414 | Screw, 10AB X 1/2 |
| 17 | 35-2374N | | Valve, Water |
| " | 21001396 | 35-2374N | Valve, Water |
| 18 | 25-7867 | 596669 | Clamp, Manifold |
| 19 | 35-2378 | 12002749 | Hose, Flume Kit |
| 20 | 21001060 | 21001748 | Hose, Pressure Switch |
| 21 | 25-7796 | 596669 | Clamp, Manifold |
| 22 | 35-3538 | 21001872 | Hose, Drain |
| 23 | 33-9537 | 22003814 | Retainer, Drain Hose |
| 25 | 33-4264N | | Strainer And Washer Kit |
| 26 | 25-7080 | 285655 | Clamp, Hose |
| 27 | 35-2051 | 21001760 | Flume Assembly / Water Diverter |
| 28 | 25-3092 | 90767 | Screw, 8A X 3/8 HeX Washer Head Tapping |

