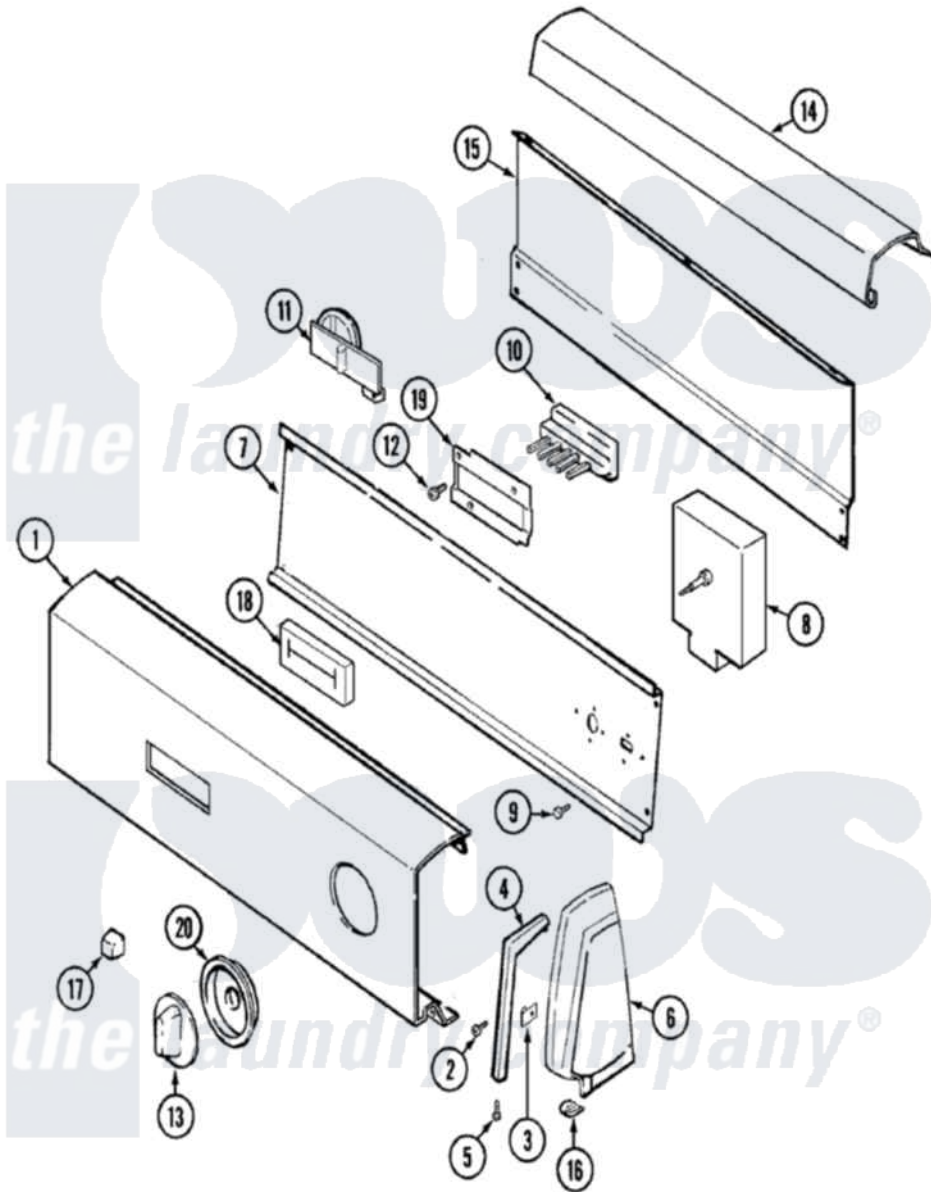


# Jenn-Air JW1000A 03 - CONTROL PANEL



Jenn-Air [Residential Jenn-Air JW1000A Washer Parts](#) Parts Diagram 03 - CONTROL PANEL  
 Click on the part number to view part

| Item | Original Part Number     | Replaced By              | Status        | Part Description                        |
|------|--------------------------|--------------------------|---------------|---|
| 1    | 21001254                 |                          | Not Available | PANEL, CONTROL (ALM)                    |
| 2    | 25-7649                  | <a href="#">910187</a>   |               | Screw                                   |
| 3    | <a href="#">25-7702</a>  |                          |               | Speedclip, End Cap To Control Panel     |
| 4    | 21001247                 |                          | Not Available | TRIM, ENDCAP (RT) (ALM)                 |
| "    | <a href="#">21001248</a> |                          |               | Trim, Endcap                            |
| 5    | <a href="#">25-7760</a>  |                          |               | Screw                                   |
| 6    | 21001069                 | <a href="#">12002263</a> |               | Endcap Kit                              |
| "    | 21001070                 | <a href="#">21001456</a> |               | Cap- End                                |
| 7    | 25-3092                  | <a href="#">90767</a>    |               | Screw, 8A X 3/8 HeX Washer Head Tapping |
| "    | <a href="#">31001193</a> |                          |               | Pad, Shield                             |
| "    | 21001266                 |                          | Not Available | SHIELD, CONTROL                         |
| 8    | <a href="#">35-3840</a>  |                          |               | Timer                                   |
| "    | <a href="#">21001341</a> |                          |               | Timer                                   |
| 9    | 31001029                 | <a href="#">3400094</a>  |               | Screw, 10-32 X 3/8                      |
| 10   | <a href="#">35-3860</a>  |                          |               | Switch, Temperature                     |

|    |                          |                          |               |   |
|----|--------------------------|--------------------------|---------------|---|
| 11 | 21001286                 |                          | Not Available | BRACKET, SWITCH                         |
| "  | 21001258                 | <a href="#">21001257</a> |               | Switch, Water Level                     |
| "  | 25-3092                  | <a href="#">90767</a>    |               | Screw, 8A X 3/8 HeX Washer Head Tapping |
| 12 | 25-7712                  |                          | Not Available | SCREW                                   |
| 13 | <a href="#">21001252</a> |                          |               | Knob, Timer                             |
| 14 | 21001244                 |                          | Not Available | COVER, CONTROL PANEL (ALM)              |
| 15 | <a href="#">25-3457</a>  |                          |               | Screw, Sems                             |
| "  | 35-2688                  | <a href="#">21001460</a> |               | Shield, Rear                            |
| "  | 25-3092                  | <a href="#">90767</a>    |               | Screw, 8A X 3/8 HeX Washer Head Tapping |
| 16 | <a href="#">25-7851</a>  |                          |               | Speedclip, End Cap To Top               |
| 17 | <a href="#">21001118</a> |                          |               | Pushbutton                              |
| 18 | 35-3394                  |                          | Not Available | PAD, SWITCH                             |
| 19 | 25-3092                  | <a href="#">90767</a>    |               | Screw, 8A X 3/8 HeX Washer Head Tapping |
| "  | 33-6621                  |                          | Not Available | BRACKET, SWITCH                         |
| 20 | 21001250                 |                          | Not Available | SKIRT, TIMER (ALM)                      |
| 21 | 21001287                 |                          | Not Available | MANUAL, USE & CARE                      |

