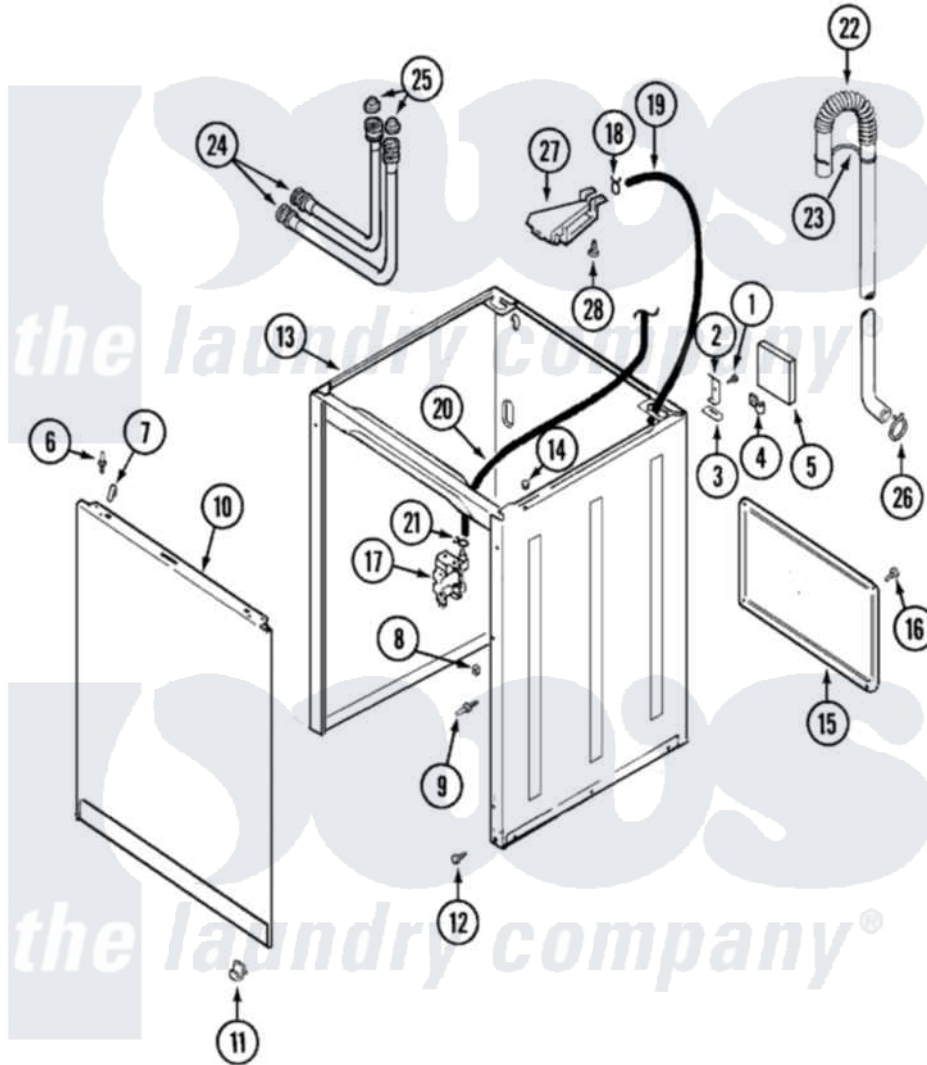


# Jenn-Air JW1000W 02 - CABINET



Jenn-Air [Residential Jenn-Air JW1000W Washer Parts](#) Parts Diagram 02 - CABINET  
 Click on the part number to view part

Item	Original Part Number	Replaced By	Status	Part Description
1	<a href="#">25-7893</a>			Screw
2	<a href="#">35-2846</a>			Hinge, Cabinet Top
3	<a href="#">35-4128</a>			Pad, Hinge
4	25-7027	<a href="#">16515</a>		Clip
5	35-0706		Not Available	PAD, FOAM
6	<a href="#">53-0643</a>			Pin, Locator
7	<a href="#">25-7220</a>			Clip, Cabinet Top
8	25-0224	<a href="#">3400029</a>		Nut, Adapter Plate
9	<a href="#">53-0643</a>			Pin, Locator
"	<a href="#">53-0200</a>			Sleeve, Locator Pin
10	<a href="#">35-2084</a>			Panel, Front
"	<a href="#">21001281</a>			Damper, Sound Pad
11	25-7732	<a href="#">681414</a>		Screw, 10AB X 1/2
"	<a href="#">53-0120</a>			Clip, Front Panel
12	<a href="#">35-4129</a>			Bumper, Cabinet
13	35-2106	<a href="#">21001871</a>		Cabinet

14	<a href="#">33-2653</a>		Bumper, Cabinet
15	35-2108	<a href="#">21001871</a>	Cabinet
16	25-7732	<a href="#">681414</a>	Screw, 10AB X 1/2
17	<a href="#">35-2374N</a>		Valve, Water
"	21001396	<a href="#">35-2374N</a>	Valve, Water
18	25-7867	<a href="#">596669</a>	Clamp, Manifold
19	35-2378	<a href="#">12002749</a>	Hose, Flume Kit
20	21001060	<a href="#">21001748</a>	Hose, Pressure Switch
21	25-7796	<a href="#">596669</a>	Clamp, Manifold
22	35-3538	<a href="#">21001872</a>	Hose, Drain
23	33-9537	<a href="#">22003814</a>	Retainer, Drain Hose
25	<a href="#">33-4264N</a>		Strainer And Washer Kit
26	25-7080	<a href="#">285655</a>	Clamp, Hose
27	35-2051	<a href="#">21001760</a>	Flume Assembly / Water Diverter
28	25-3092	<a href="#">90767</a>	Screw, 8A X 3/8 HeX Washer Head Tapping

