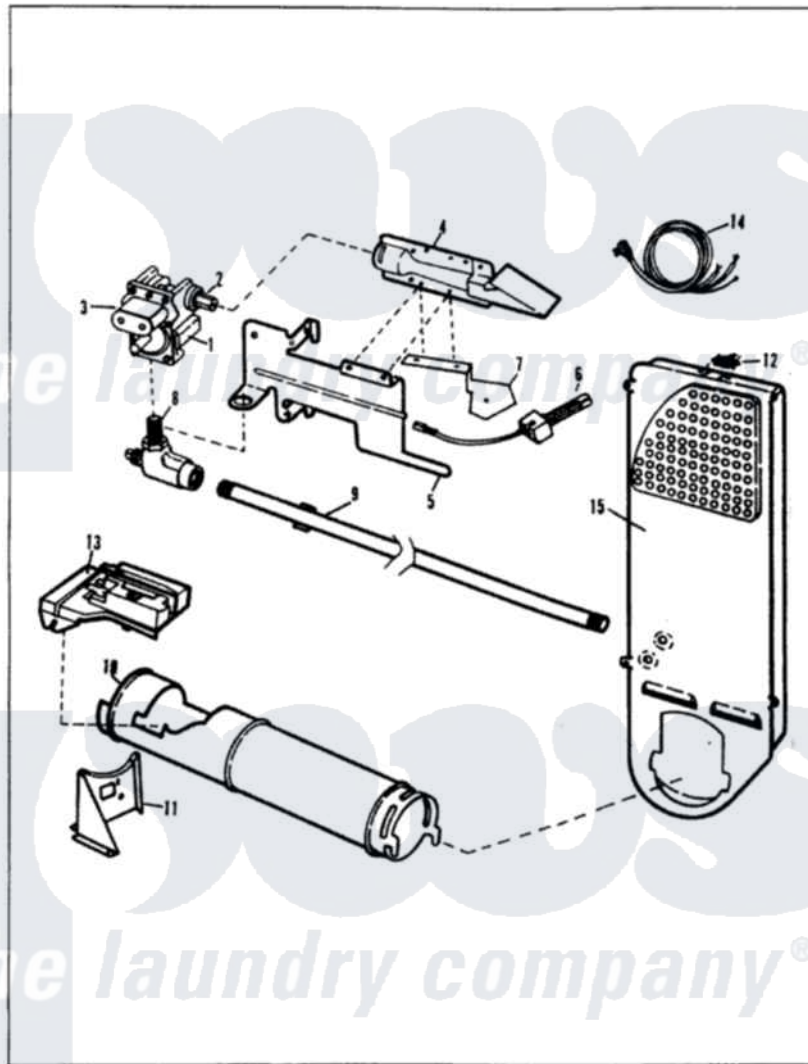


Magic Chef DG20F5AM 05 - GAS CARRYING (REV. A-H)

MASTER CARE

DG20F5

GAS CARRYING



Issued 2/86

N-27-29

Magic Chef Residential Magic Chef DG20F5AM Dryer Parts Parts Diagram 05 - GAS CARRYING (REV. A-H)
 Click on the part number to view part

Item	Original Part Number	Replaced By	Status	Part Description
1	53-0194	306176		Valve, Gas
2	63-3570			Burner Orifice
3	63-6615	279834		Coil-Valve
"	63-6614	279834		Coil-Valve
"	W10124350		Not Available	NOT REQUIRED PART OR SEE NOTE NOT REQUIRED/PURCHASE LOCALLY
"	63-6766			Conversion Kit
4	63-6682	31001784		Burner
5	25-7741	W10116760		Screw
"	53-0140			Mtg Bracket
6	53-0689	31001556		Igniter
7	25-7744	8281196		Screw
"	53-0686		Not Available	BRACKET
8	53-0101	31001042		Valve, Gas Shut Off
9	25-7741	W10116760		Screw

"	53-0173	31001777	Main Gas L
10	53-0138		Not Available HEATER HOUSING
11	25-7741	W10116760	Screw
"	25-3092	90767	Screw, 8A X 3/8 HeX Washer Head Tapping
"	53-0139		Not Available HEATER SUPPORT
12	25-0168		Screw
"	53-0143	LA-1053	Fuse Kit, Thermal
13	25-7741	W10116760	Screw
"	63-5013	338906	Radiant, Sensor
"	25-3092	90767	Screw, 8A X 3/8 HeX Washer Head Tapping
"	25-2134	W10116760	Screw
14	63-6259	31001547	Cord, Power
15	53-0169		Not Available INLET AIR DUCT

