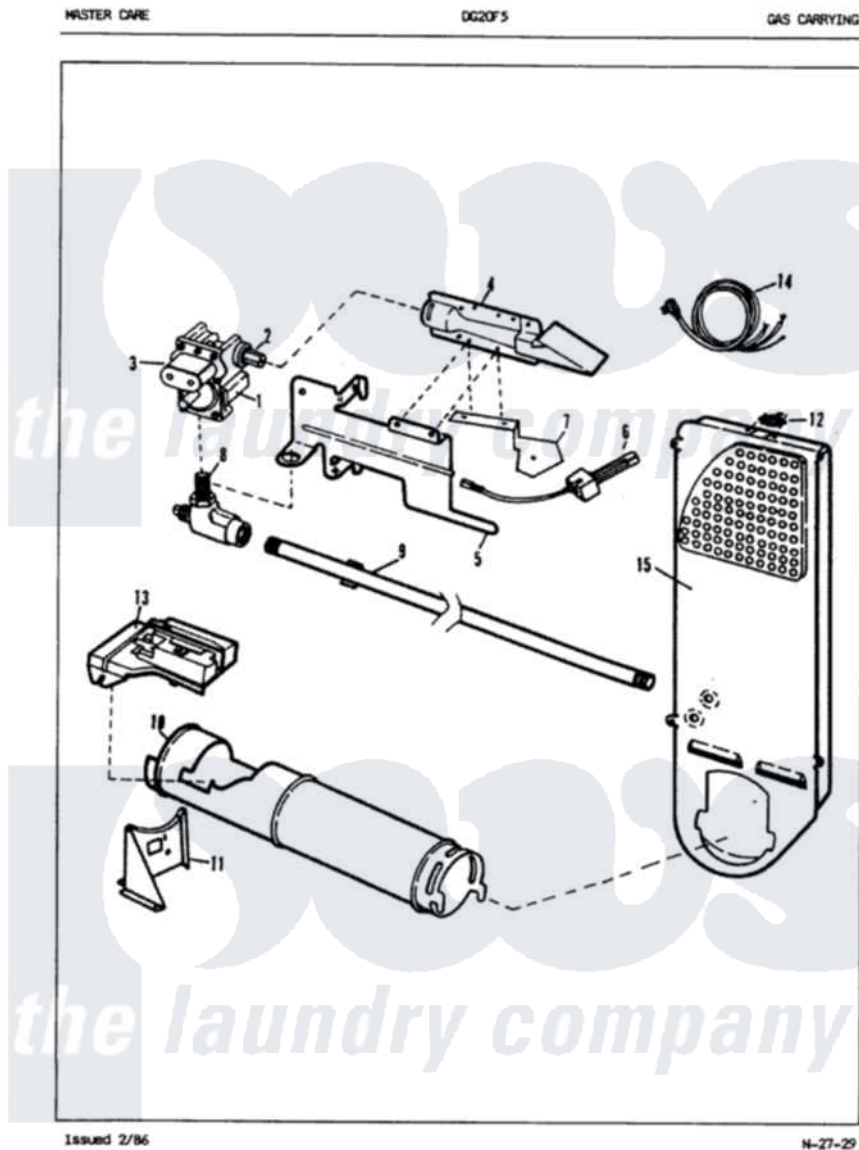


Magic Chef DG20F5AM 06 - GAS CARRYING (REV. J)



Magic Chef [Residential Magic Chef DG20F5AM Dryer Parts](#) Parts Diagram 06 - GAS CARRYING (REV. J)
 Click on the part number to view part

Item	Original Part Number	Replaced By	Status	Part Description
1	53-0194	306176		Valve, Gas
2	63-3570			Burner Orifice
3	63-6615	279834		Coil-Valve
"	63-6614	279834		Coil-Valve
"	63-6766			Conversion Kit
"	W10124350		Not Available	NOT REQUIRED PART OR SEE NOTE SCREW-PURCHASED LOCALLY
4	63-6682	31001784		Burner
5	53-0140			Mtg Bracket
"	25-7741	W10116760		Screw
7	25-7744	8281196		Screw
8	53-0101	31001042		Valve, Gas Shut Off
9	25-7741	W10116760		Screw
"	53-0173	31001777		Main Gas L
10	53-0138		Not Available	HEATER HOUSING
11	25-7741	W10116760		Screw

"	25-3092	90767	Screw, 8A X 3/8 HeX Washer Head Tapping
"	53-0139	Not Available	HEATER SUPPORT
12	53-0143	LA-1053	Fuse Kit, Thermal
"	25-0168		Screw
13	25-7741	W10116760	Screw
"	63-5013	338906	Radiant, Sensor
"	25-3092	90767	Screw, 8A X 3/8 HeX Washer Head Tapping
"	25-2134	W10116760	Screw
14	63-6259	31001547	Cord, Power
15	53-0169	Not Available	INLET AIR DUCT

Howes
the laundry company®

Howes
the laundry company®

Howes
the laundry company®