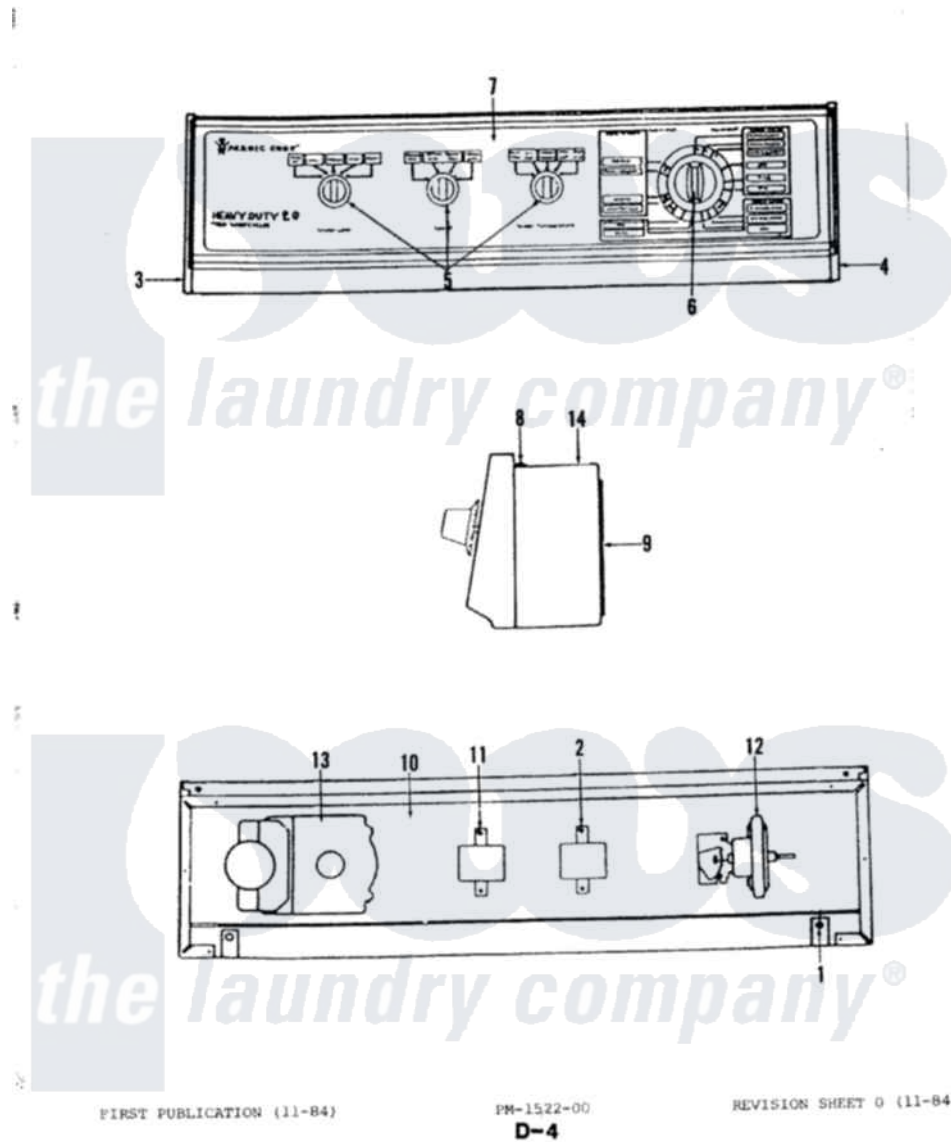


# Magic Chef W18DA2 02 - CONTROL PANEL



Magic Chef [Residential Magic Chef W18DA2 Washer Parts](#) Parts Diagram 02 - CONTROL PANEL  
Click on the part number to view part

| Item | Original Part Number    | Replaced By               | Status        | Part Description                        |
|------|-------------------------|---------------------------|---------------|---|
| 1    | 25-7461                 |                           | Not Available | CLIP                                    |
| 3    | <a href="#">33-6765</a> |                           |               | LH End Cap                              |
| 4    | <a href="#">33-6766</a> |                           |               | RH End Cap                              |
| 5    | 33-9618                 |                           | Not Available | SELECTOR KNOB                           |
| 6    | 33-9703                 |                           | Not Available | KNOB ASM                                |
| "    | 33-8437                 | <a href="#">RA43882-1</a> |               | Timer                                   |
| 7    | 33-9958                 |                           | Not Available | CONTROL PANEL                           |
| "    | 25-7496                 | <a href="#">25-7760</a>   |               | Screw                                   |
| 8    | 25-0205                 | <a href="#">216412</a>    |               | Screw, Bracket To Timer                 |
| "    | 25-3092                 | <a href="#">90767</a>     |               | Screw, 8A X 3/8 HeX Washer Head Tapping |
| "    | <a href="#">25-6044</a> |                           |               | Set Screw                               |
| "    | 25-7649                 | <a href="#">910187</a>    |               | Screw                                   |
| 9    | 33-8909                 |                           | Not Available | SHIELD                                  |
| 10   | 33-9367                 |                           | Not Available | SHIELD                                  |
| 12   | <a href="#">33-6937</a> |                           |               | Selector Switch                         |
| "    | <a href="#">33-9732</a> |                           |               | Pressure Switch                         |

|    |            |               |         |
|----|------------|---------------|---------|
| 13 | 25-0129    | Not Available | CODE H  |
| "  | 33-8423    | Not Available | TIMER   |
| 14 | 33-9668-24 | Not Available | WRAPPER |

