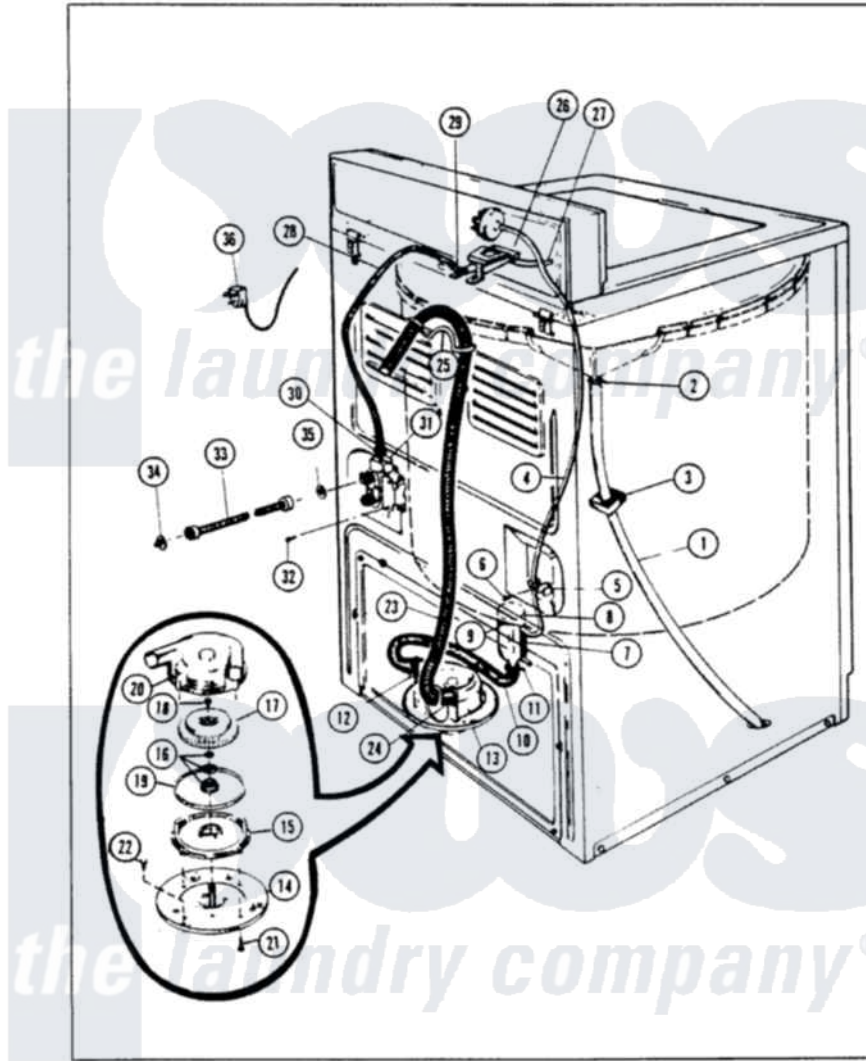


# Magic Chef W18EA1 05 - WATER CARRYING

MAGIC CHEF

W18EN-1

WATER CARRYING



Issued 4/86

F-3

Magic Chef [Residential Magic Chef W18EA1 Washer Parts](#) Parts Diagram 05 - WATER CARRYING  
 Click on the part number to view part

Item	Original Part Number	Replaced By	Status	Part Description
1	35-0059		Not Available	OVERFLOW HOSE
2	Y00000000		Not Available	SEE NOTE CLAMP (PURCHASE LOCALLY)
3	33-1389		Not Available	INSULATION
4	25-7796	<a href="#">596669</a>		Clamp, Manifold
"	33-4090		Not Available	HOSE
5	<a href="#">33-6099</a>			Clamp
7	<a href="#">33-7314</a>			Sump Assembly
8	33-3633		Not Available	HOSE
9	<a href="#">25-7003</a>			Clamp
10	<a href="#">33-6091</a>			Hose
11	Y00000000		Not Available	SEE NOTE CLAMP (PURCHASE LOCALLY)
12	Y00000000		Not Available	SEE NOTE CLAMP (PURCHASE LOCALLY)
13	35-0008	<a href="#">35-6467</a>		Pump Assem
14	33-6035		Not Available	PLATE & PULLEY ASSY.

15	33-6029	<a href="#">35-6467</a>		Pump Assem
16	33-6360		Not Available	SEAL ASM
17	<a href="#">35-0010</a>			Impeller
18	25-7418	<a href="#">33001178</a>		Back, Tumbler
19	<a href="#">33-6032</a>			Gasket
20	<a href="#">35-0009</a>			Pump Housing
21	25-7405	<a href="#">3196164</a>		Screw
22	25-7419		Not Available	SCREW
23	33-9535	<a href="#">211704</a>		Hose, Drain
24	<a href="#">33-9536</a>			Hose Adapter
25	25-7797	<a href="#">285655</a>		Clamp, Hose
"	33-9537	<a href="#">22003814</a>		Retainer, Drain Hose
26	25-7086	<a href="#">Y0308025</a>		Washer, Stainless Steel
"	25-7455	<a href="#">99002757</a>		Screw
"	33-9830		Not Available	INLET FLUME
"	33-8057		Not Available	PLASTIC NUT
27	33-6038		Not Available	FLUME EXT
28	35-0541		Not Available	WATR INLET HOSE
29	25-7867	<a href="#">596669</a>		Clamp, Manifold
30	25-7866	<a href="#">489503</a>		Clamp
31	33-7058		Not Available	SUB 36-1456
"	35-0085	<a href="#">35-2374N</a>		Valve, Water
32	25-7101	<a href="#">3351614</a>		Screw, Gearcase Cover Mounting
33	33-7891	<a href="#">89503</a>		Hose-Inlet
34	33-7313	<a href="#">33-4264N</a>		Strainer And Washer Kit
35	<a href="#">25-7048</a>			Washer
36	33-3939		Not Available	SERVICE CORD

*the laundry company*<sup>®</sup>

*the laundry company*<sup>®</sup>