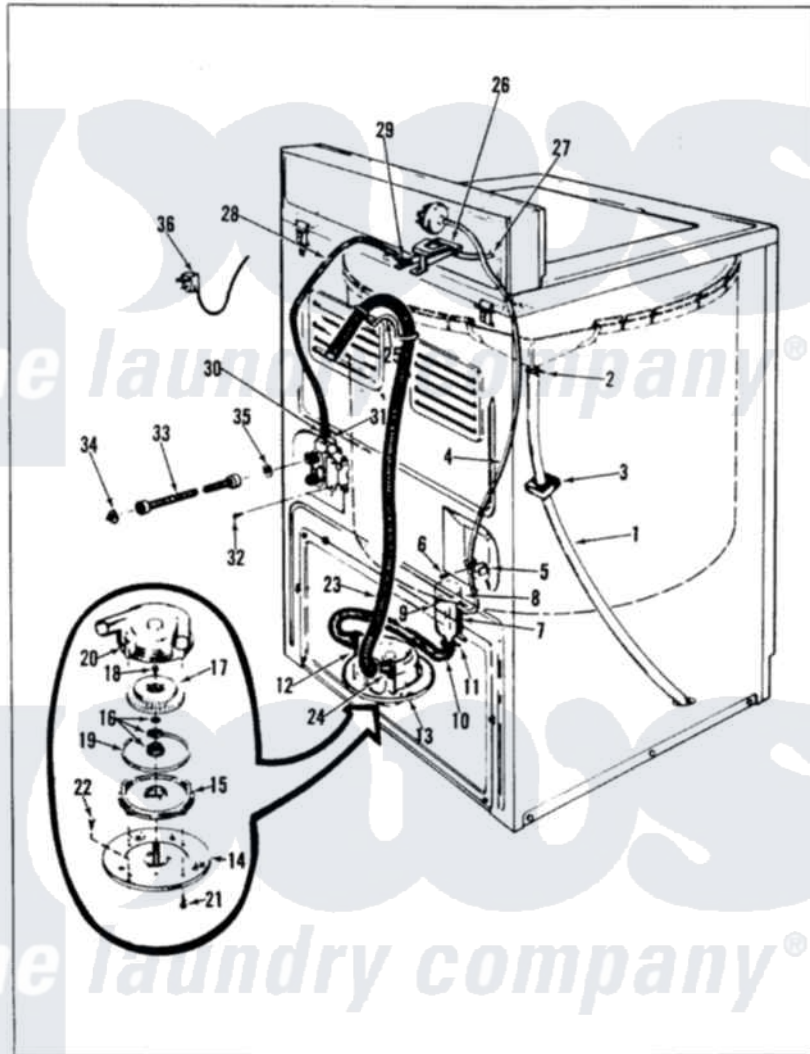


Magic Chef W18FA1 05 - WATER CARRYING

MAGIC CHEF W18FN-1 WATER CARRYING



Issued 11/87

Magic Chef [Residential Magic Chef W18FA1 Washer Parts](#) Parts Diagram 05 - WATER CARRYING
 Click on the part number to view part

| Item | Original Part Number | Replaced By | Status | Part Description |
|------|-------------------------|-------------------------|---------------|----------------------|
| 1 | 35-0059 | | Not Available | OVERFLOW HOSE |
| 2 | 25-6057 | | Not Available | HOSE CLAMP |
| 3 | 35-0706 | | Not Available | PAD, FOAM |
| 4 | 25-7796 | 596669 | | Clamp, Manifold |
| " | 33-6714 | | Not Available | PRES SW HOSE |
| 5 | 33-6099 | | | Clamp |
| 7 | 33-7314 | | | Sump Assembly |
| 8 | 33-3633 | | Not Available | HOSE |
| 9 | 25-7003 | | | Clamp |
| 10 | 33-6091 | | | Hose |
| 11 | 25-6066 | | Not Available | HOSE CLAMP |
| 12 | 25-6055 | | Not Available | HOSE CLAMP |
| 13 | 35-0008 | 35-6467 | | Pump Assem |
| " | 35-0008 | 35-6467 | | Pump Assem |
| 14 | 33-6035 | | Not Available | PLATE & PULLEY ASSY. |
| 15 | 33-6029 | 35-6467 | | Pump Assem |

| | | | |
|----|-------------------------|--------------------------|---|
| 16 | 35-0707 | | Seal, Seat And "O" Ring |
| 17 | 35-0010 | | Impeller |
| 18 | 25-7418 | 33001178 | Back, Tumbler |
| 19 | 33-6032 | | Gasket |
| 20 | 35-0009 | | Pump Housing |
| 21 | 25-7405 | 3196164 | Screw |
| 22 | 25-7419 | | Not Available |
| | | | SCREW |
| 23 | 25-7048 | | Washer |
| " | 33-9536 | | Hose Adapter |
| 24 | 25-7881 | 285655 | Clamp, Hose |
| " | 33-9536 | | Hose Adapter |
| 25 | 25-7797 | 285655 | Clamp, Hose |
| " | 33-9537 | 22003814 | Retainer, Drain Hose |
| 26 | 33-9830 | | Not Available |
| | | | INLET FLUME |
| " | 25-3092 | 90767 | Screw, 8A X 3/8 HeX Washer Head Tapping |
| " | 33-8057 | | Not Available |
| | | | PLASTIC NUT |
| " | 25-7086 | Y0308025 | Washer, Stainless Steel |
| 27 | 33-6038 | | Not Available |
| | | | FLUME EXT |
| 28 | 35-0541 | | Not Available |
| | | | WATR INLET HOSE |
| 29 | 25-7867 | 596669 | Clamp, Manifold |
| 30 | 25-7866 | 489503 | Clamp |
| 31 | 33-7058 | | Not Available |
| | | | SUB 36-1456 |
| " | 35-0085 | 35-2374N | Valve, Water |
| 32 | 25-7851 | | Speedclip, End Cap To Top |
| 33 | 33-7891 | 89503 | Hose-Inlet |
| 34 | 33-7313 | 33-4264N | Strainer And Washer Kit |
| 35 | 25-7048 | | Washer |
| 36 | 35-0680 | | Not Available |
| | | | CORD, POWER |

