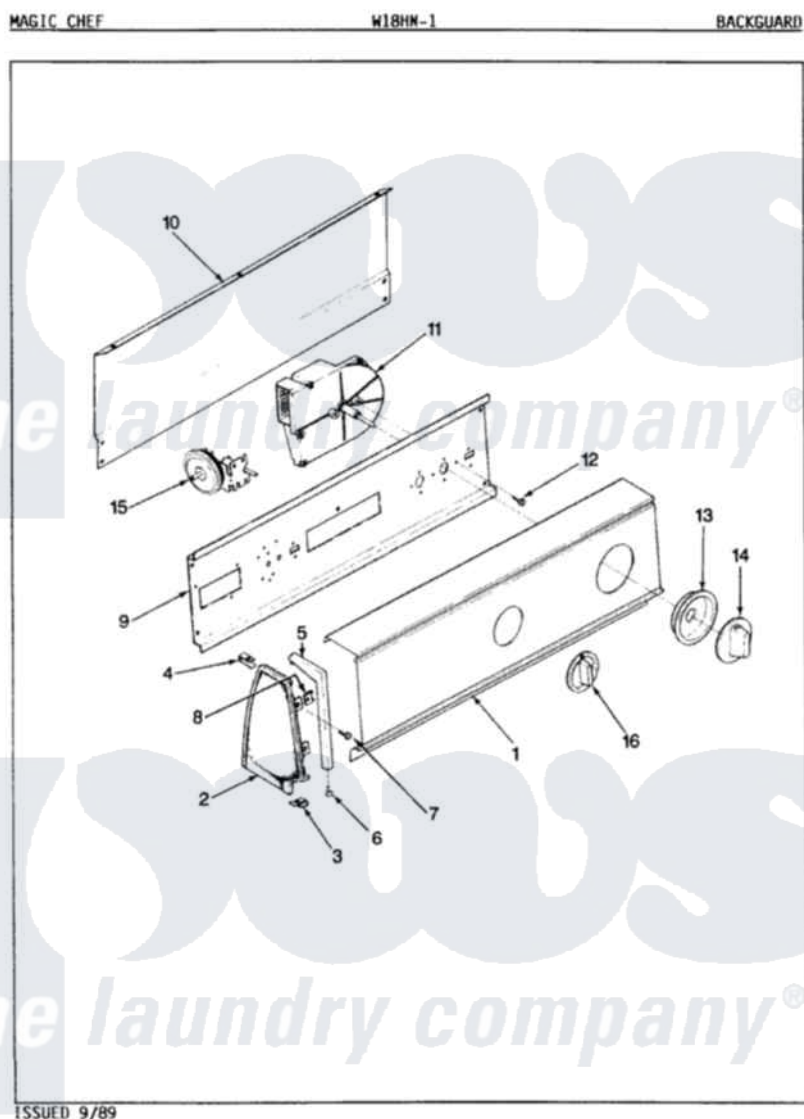


Magic Chef W18HN1 04 - CONTROL PANEL (REV. A-C)



Magic Chef [Residential Magic Chef W18HN1 Washer Parts](#) Parts Diagram 04 - CONTROL PANEL (REV. A-C)
 Click on the part number to view part

| Item | Original Part Number | Replaced By | Status | Part Description |
|------|-------------------------|--------------------------|---------------|---|
| 1 | 25-7702 | | | Speedclip, End Cap To Control Panel |
| " | 25-7793 | | | Screw |
| " | 35-2170 | | Not Available | CONTROL PANEL |
| 2 | 53-0265 | | | LH Endcap |
| " | 53-0264 | | | RH Endcap |
| 3 | 34-9487 | | Not Available | PLATE, REINFORCEMENT |
| " | 25-7697 | 25-2219 | | Screw |
| " | 25-7851 | | | Speedclip, End Cap To Top |
| 4 | 25-7435 | 33002917 | | Screw, No.10-16 |
| " | 25-7852 | | | Speedclip, Rr Shld To End Cap |
| 5 | 53-0278 | | Not Available | TRIM, END CAP (LT) |
| " | 53-0277 | | Not Available | TRIM, END CAP (RT) |
| 6 | 25-7760 | | | Screw |
| 7 | 25-3092 | 90767 | | Screw, 8A X 3/8 HeX Washer Head Tapping |

| | | | |
|----|-------------------------|--------------------------|---|
| 8 | 25-7702 | | Speedclip, End Cap To Control Panel |
| 9 | 53-0365 | 53-1676 | Shield, Control |
| 10 | 25-3457 | | Screw, Sems |
| " | 25-3092 | 90767 | Screw, 8A X 3/8 HeX Washer Head Tapping |
| " | 53-0268 | 21001460 | Shield, Rear |
| 11 | 35-2208 | | Not Available TIMER |
| 12 | 25-0088 | 489483 | Screw 10-32 X 1/2 |
| 13 | 35-2254 | 12500058 | Knob Ski |
| 14 | 35-2187 | 12500058 | Knob Ski |
| 15 | 35-2145 | 21001554 | Switch, Water Level |
| 16 | 35-2185 | 21001283 | Knob, Selector---Piq |
| " | 35-0872 | | Not Available MANUAL, USE & CARE |
| " | 25-3092 | 90767 | Screw, 8A X 3/8 HeX Washer Head Tapping |

