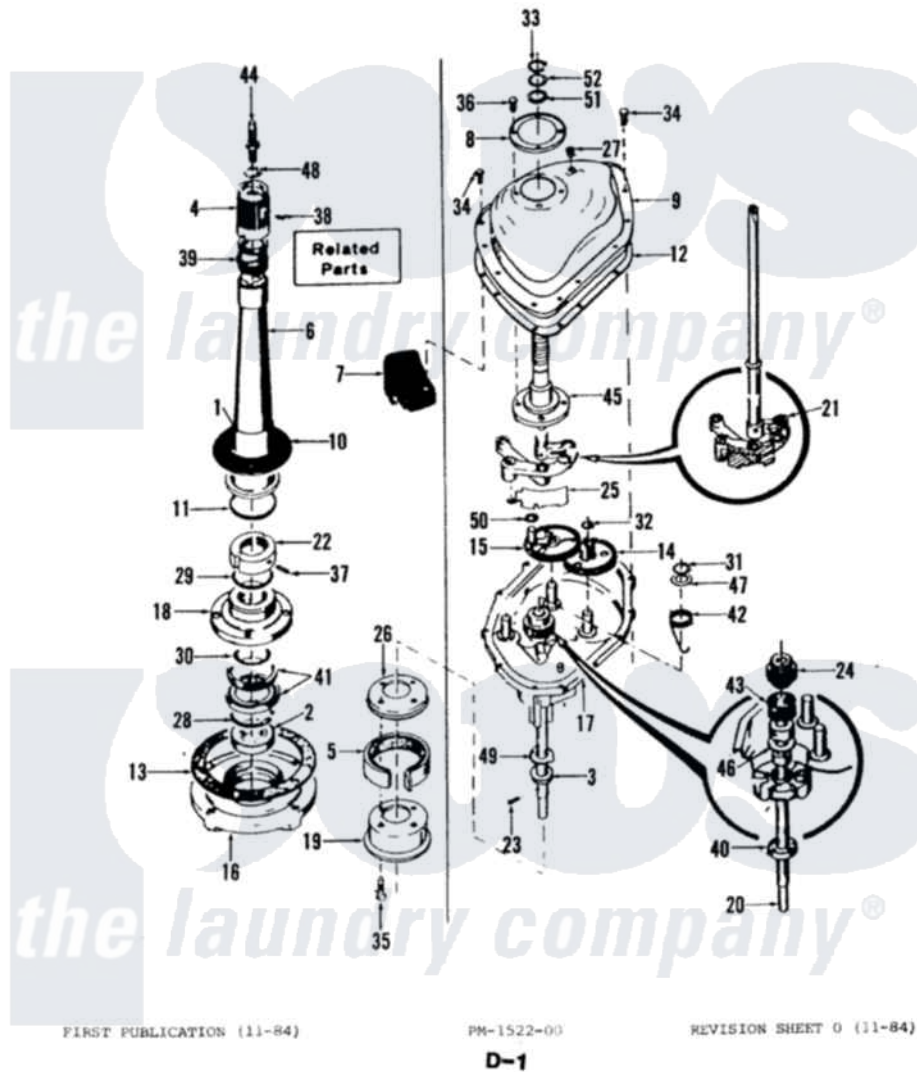


Magic Chef W20DA3 04 - TRANSMISSION



Magic Chef [Residential Magic Chef W20DA3 Washer Parts](#) Parts Diagram 04 - TRANSMISSION
 Click on the part number to view part

| Item | Original Part Number | Replaced By | Status | Part Description |
|------|-------------------------|-------------------------|---------------|--------------------------|
| 1 | 33-6790 | | | Bearing, Agitator |
| 2 | 33-0260 | 35-2205 | | Bearing, Spin |
| 3 | 33-4944 | | | Bearing |
| 4 | 33-9729 | | Not Available | DRIVE BLOCK ASM |
| 5 | 33-4285N | LA-1002 | | Transmission Housing Kit |
| " | 33-9686 | 35-0483 | | Band and Lning Assembly |
| " | LA-1000 | | Not Available | BRAKE KIT |
| 6 | 33-4283N | | Not Available | CENTERPOST KIT |
| " | 33-9498 | | Not Available | CENTERPOST ASM |
| " | 33-9023N | | Not Available | CLUTCH ASM |
| 7 | 33-8767 | LA-1009 | | Counterwei |
| 8 | 33-7187 | | | Covr Reinforcmt |
| 9 | 33-7182 | | Not Available | TRANSM COVER |
| 10 | 33-9461 | | | Gasket |
| 11 | 33-8718 | | | Gasket |
| 12 | 33-9366 | | Not Available | COVER GASKET |

| | | | | |
|----|--------------------------|--------------------------|---------------|------------------------------|
| 13 | 33-9046 | 35-0929 | | Gasket |
| 14 | 33-3228 | 35-0547 | | Cluster Gear |
| 15 | 33-5910 | | Not Available | GEAR CRANK |
| 16 | 33-9522 | | | Bearing And Housing Assembly |
| 17 | 33-9986 | | Not Available | TRANSM HOUSING |
| " | 33-9035 | | Not Available | TRANSM HOUSING |
| 18 | 33-9230 | | Not Available | BASKET HUB ASM |
| 19 | 33-9983 | | Not Available | BRAKE HUB |
| " | 33-9037 | | Not Available | BRAKE HUB |
| 20 | 33-9022 | | Not Available | DRIVE SHAFT |
| 21 | 33-9796 | 35-3573 | | Linkage As |
| " | 33-9329 | 35-3573 | | Linkage As |
| 22 | 33-9504 | | | Locknut |
| " | 33-4266 | | Not Available | GALLON OF OIL |
| 23 | 25-6120 | | Not Available | PIN |
| 24 | 33-6115 | | Not Available | DRIVE PINION |
| 25 | 33-9103 | | Not Available | OIL SPLSH PLATE |
| 26 | 33-9688 | 33-9984 | | Retainer Plate |
| 27 | 33-9373 | | Not Available | OIL FILL PLUG |
| 28 | 25-7178 | 25-7849 | | Retaining Ring |
| 29 | 25-7749 | | | O Ring |
| 30 | 25-7722 | 33-4293N | | Gasket Kit |
| 31 | 25-7173 | | Not Available | 25-7708 |
| 32 | 25-7175 | 25-7933 | | Ring, Retaining |
| 33 | 25-7708 | 25-7848 | | Retaining Ring |
| 34 | 25-7758 | | | Screw |
| 35 | 25-7754 | 25-7132N | | Screw And Washer |
| 36 | 25-7498 | 25-7359 | | Screw |
| 37 | 25-7120 | | | Set Screw |
| 38 | 25-7378 | | | Set Screw |
| 39 | 33-7806 | 33-7806N | | Seal Assembly |
| 40 | 33-9208 | | Not Available | SEAL |
| 41 | 33-7224 | 33-7224N | | Tub Seal Assembly |
| 42 | 33-6463 | | | Spring |
| 43 | 33-3195 | | Not Available | SPRING |
| 44 | 33-4286N | | | Transmission Cover Kit |
| " | 33-9144 | | Not Available | TRANSMISSION |
| " | 34-1248 | 33-6817 | | Stud |
| 45 | 33-8763 | 33-4286N | | Transmission Cover Kit |
| 46 | 25-7416 | | Not Available | WASHER, FLAT |
| " | 25-7274 | | Not Available | WASHER, STEEL |
| 47 | 25-7415 | | Not Available | WASHER, FLAT |
| 48 | 25-7316 | | | Flat Washer |
| 49 | 33-9217 | | Not Available | THRUST WASHER |
| 50 | 25-7091 | | | Thrust Washer |
| 51 | 25-7057 | | | Washer, Flat |
| 52 | 33-4282N | | | Housing Kit |
| " | 25-7051 | 25-7057 | | Washer, Flat |