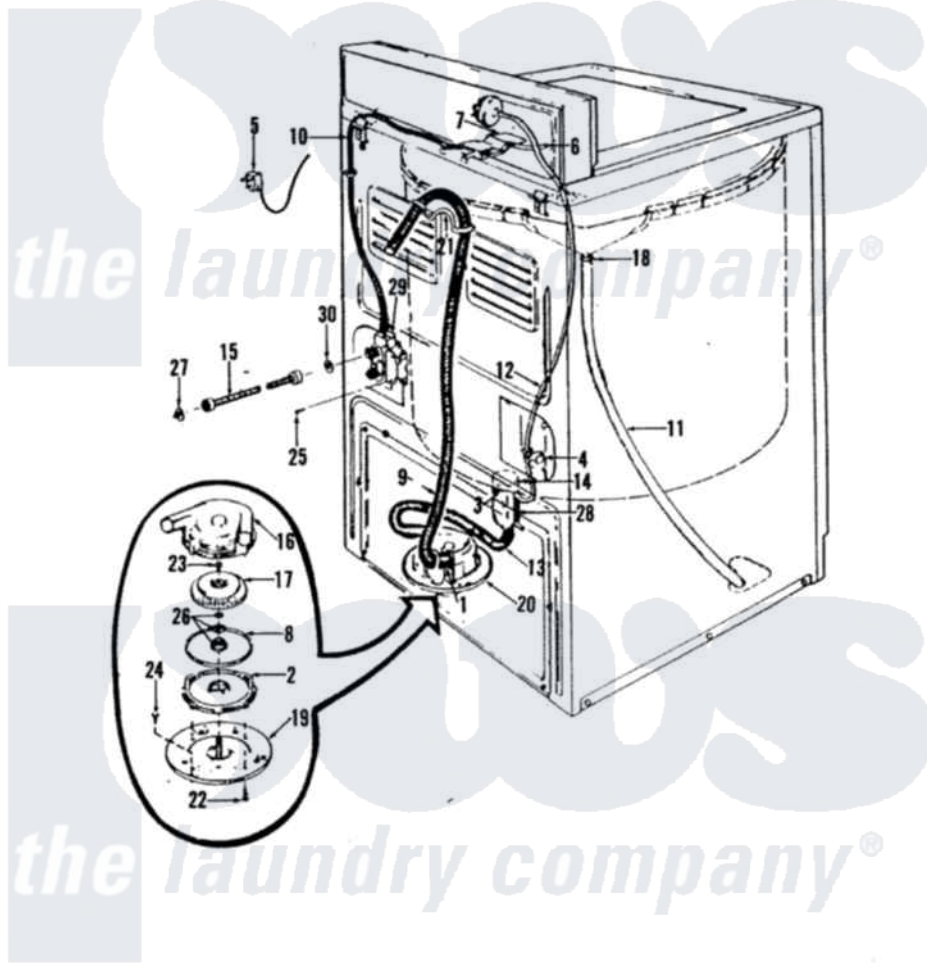


Magic Chef W20DA3 06 - WATER CARRYING



FIRST PUBLICATION (11-84)

PM-1522-00

REVISION SHEET 0 (11-84)

C-11

Magic Chef [Residential Magic Chef W20DA3 Washer Parts](#) Parts Diagram 06 - WATER CARRYING
 Click on the part number to view part

Item	Original Part Number	Replaced By	Status	Part Description
1	33-9536			Hose Adapter
2	33-6029	35-6467		Pump Assem
3	25-7003			Clamp
"	25-7797	285655		Clamp, Hose
4	33-6099			Clamp
"	25-6049	596669		Clamp, Manifold
5	33-3939		Not Available	SERVICE CORD
6	33-6038		Not Available	FLUME EXT
7	33-6686		Not Available	FLUME
8	33-6032			Gasket
9	33-9535	211704		Hose, Drain
10	33-6689		Not Available	INLET HOSE
11	33-9494		Not Available	OVERFLOW HOSE
12	33-6714		Not Available	PRES SW HOSE
13	33-6091			Hose
14	33-3633		Not Available	HOSE

15	33-7891	89503		Hose-Inlet
16	33-6030		Not Available	PUMP HOUSING
17	33-6033	35-0010		Impeller
18	33-1389		Not Available	INSULATION
19	33-6035		Not Available	PLATE & PULLEY ASSY.
20	33-6027	35-6467		Pump Assem
21	33-9537	22003814		Retainer, Drain Hose
"	33-7058		Not Available	SUB 36-1456
22	25-7405	3196164		Screw
23	25-7418	33001178		Back, Tumbler
24	25-7419		Not Available	SCREW
25	25-7101	3351614		Screw, Gearcase Cover Mounting
26	33-6360		Not Available	SEAL ASM
27	33-7313	33-4264N		Strainer And Washer Kit
28	33-7314			Sump Assembly
29	33-7044	35-2374N		Valve, Water
30	25-7048			Washer

