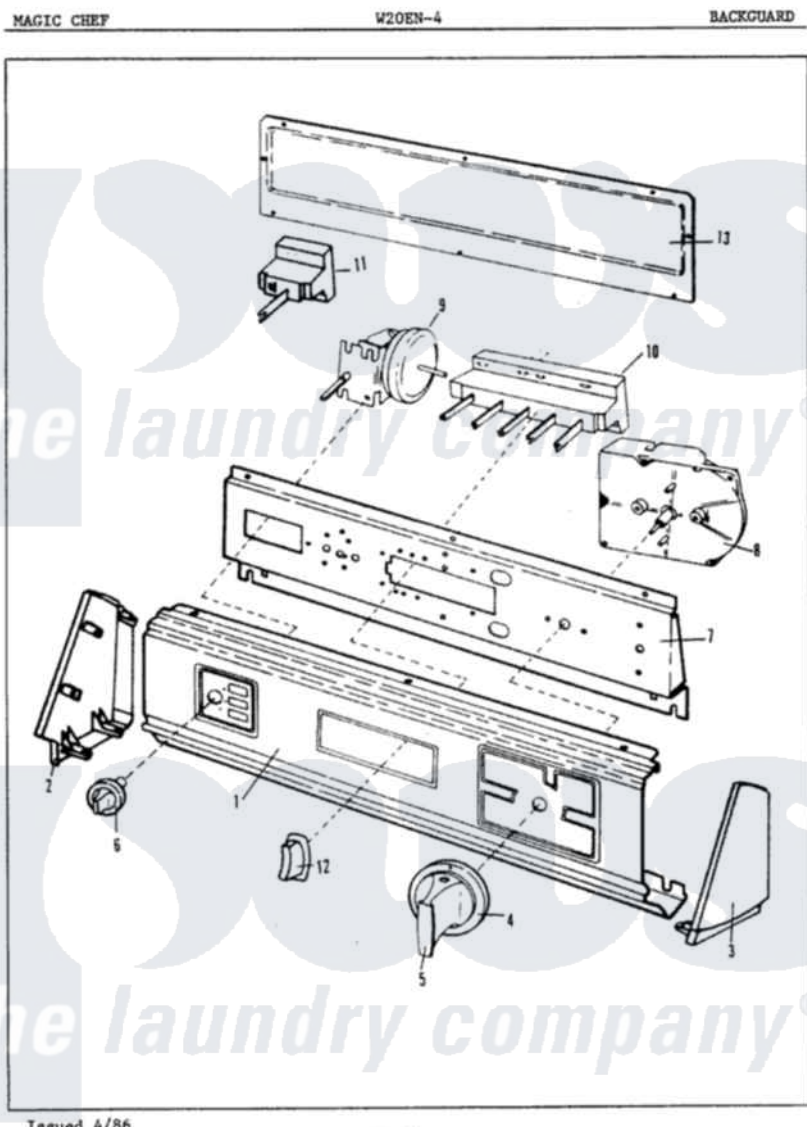


# Magic Chef W20EY4 02 - CONTROL PANEL



C-1

Magic Chef [Residential Magic Chef W20EY4 Washer Parts](#) Parts Diagram 02 - CONTROL PANEL  
 Click on the part number to view part

| Item | Original Part Number    | Replaced By              | Status        | Part Description                        |
|------|-------------------------|--------------------------|---------------|---|
| 1    | <a href="#">25-7793</a> |                          |               | Screw                                   |
| "    | 35-0265                 |                          | Not Available | CONTROL PANEL                           |
| 2    | <a href="#">53-0265</a> |                          |               | LH Endcap                               |
| 3    | <a href="#">25-7760</a> |                          |               | Screw                                   |
| "    | 53-0278                 |                          | Not Available | TRIM, END CAP (LT)                      |
| "    | <a href="#">25-7702</a> |                          |               | Speedclip, End Cap To Control Panel     |
| "    | <a href="#">53-0264</a> |                          |               | RH Endcap                               |
| "    | 53-0277                 |                          | Not Available | TRIM, END CAP (RT)                      |
| 4    | 35-0384                 | <a href="#">12500058</a> |               | Knob Ski                                |
| 5    | 35-0498                 | <a href="#">12500058</a> |               | Knob Ski                                |
| "    | 35-0149                 |                          | Not Available | TIMER KNOB                              |
| "    | <a href="#">25-6044</a> |                          |               | Set Screw                               |
| 6    | 35-0452                 |                          | Not Available | SELECTOR KNOB                           |
| 7    | 53-0267                 |                          | Not Available | CONTROL SHIELD                          |
| "    | 25-3092                 | <a href="#">90767</a>    |               | Screw, 8A X 3/8 HeX Washer Head Tapping |

|    |                         |                          |               |   |
|----|-------------------------|--------------------------|---------------|---|
| 8  | 25-0088                 | <a href="#">489483</a>   |               | Screw 10-32 X 1/2                       |
| "  | <a href="#">35-0157</a> |                          |               | Timer                                   |
| "  | 35-0489                 | <a href="#">35-0728</a>  |               | Timer                                   |
| "  | <a href="#">35-0116</a> |                          |               | Timer Motor 3/5 RPM                     |
| 9  | 35-0112                 | <a href="#">35-0782</a>  |               | Pressure Switch                         |
| "  | 25-3092                 | <a href="#">90767</a>    |               | Screw, 8A X 3/8 HeX Washer Head Tapping |
| 10 | 25-3092                 | <a href="#">90767</a>    |               | Screw, 8A X 3/8 HeX Washer Head Tapping |
| "  | 33-9989                 |                          | Not Available | SELECTOR SWITCH                         |
| "  | 33-8540                 |                          | Not Available | SWITCH PAD                              |
| "  | 33-6620                 |                          | Not Available | BRACKET                                 |
| "  | 25-7713                 |                          | Not Available | SCREW                                   |
| 11 | 25-7712                 |                          | Not Available | SCREW                                   |
| "  | 33-6621                 |                          | Not Available | BRACKET, SWITCH                         |
| "  | <a href="#">33-9914</a> |                          |               | PB Switch                               |
| "  | 33-8541                 |                          | Not Available | SWITCH PAD                              |
| 12 | <a href="#">35-0385</a> |                          |               | Pushbutton                              |
| 13 | <a href="#">25-7851</a> |                          |               | Speedclip, End Cap To Top               |
| "  | <a href="#">25-7852</a> |                          |               | Speedclip, Rr Shld To End Cap           |
| "  | 25-7697                 | <a href="#">25-2219</a>  |               | Screw                                   |
| "  | 25-7592                 |                          | Not Available | SCREW                                   |
| "  | 25-3092                 | <a href="#">90767</a>    |               | Screw, 8A X 3/8 HeX Washer Head Tapping |
| "  | 34-9487                 |                          | Not Available | PLATE, REINFORCEMENT                    |
| "  | 53-0268                 | <a href="#">21001460</a> |               | Shield, Rear                            |

*the laundry company*<sup>®</sup>

*the laundry company*<sup>®</sup>