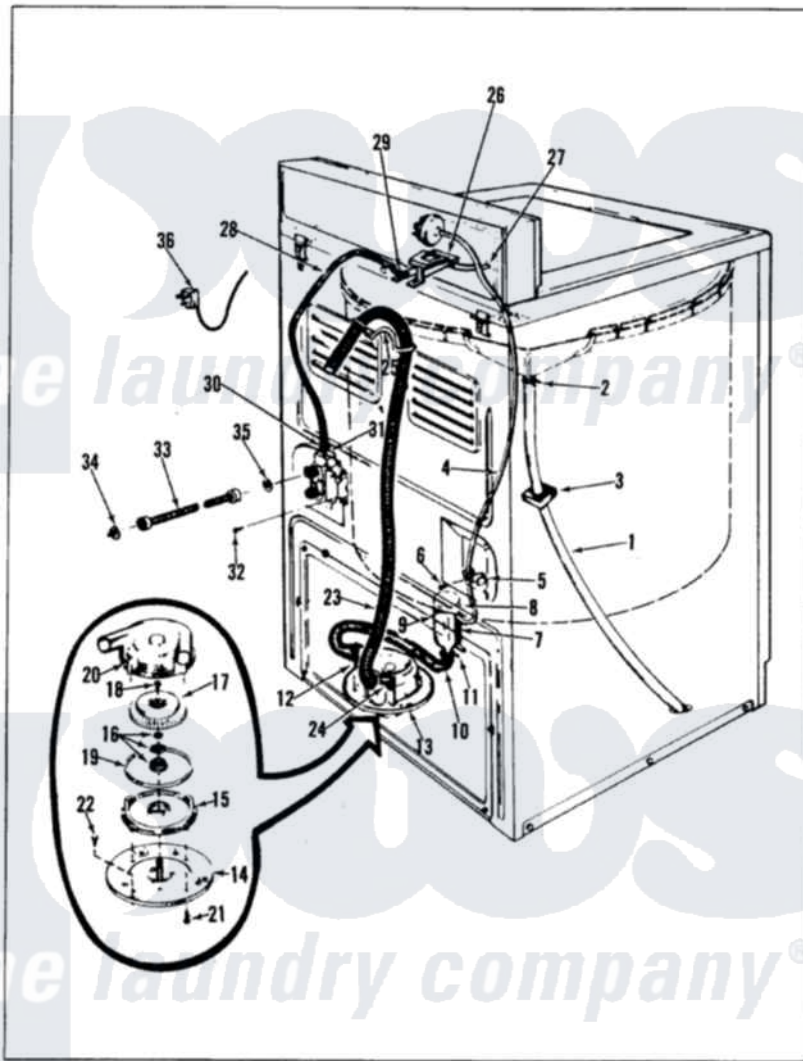


# Magic Chef W20FA5 01 - BASE & DRIVE

MAGIC CHEF

W20FN-4

WATER CARRYING



Issued 11/87

Magic Chef [Residential Magic Chef W20FA5 Washer Parts](#) Parts Diagram 01 - BASE & DRIVE  
 Click on the part number to view part

| Item | Original Part Number    | Replaced By              | Status        | Part Description      |
|------|-------------------------|--------------------------|---------------|-----------------------|
| 1    | <a href="#">35-0058</a> |                          |               | Base Assembly         |
| 2    | <a href="#">25-7365</a> |                          |               | Eye Bolt              |
| 3    | 33-9553                 |                          | Not Available | SPRING                |
| 4    | <a href="#">25-7362</a> |                          |               | Anchor Nut            |
| 5    | 25-7727                 |                          | Not Available | FLAT WASHER           |
| 6    | <a href="#">35-0771</a> |                          |               | Leveling Leg          |
| "    | 33-0679                 | <a href="#">35-0771</a>  |               | Leveling Leg          |
| 7    | 25-7032                 | <a href="#">25-7915</a>  |               | Hex Nut               |
| 8    | 34-0062                 | <a href="#">25001119</a> |               | Foot And Pad Assembly |
| 9    | 35-0465                 |                          | Not Available | DRIVE BELT            |
| 10   | 33-9374                 |                          | Not Available | DRIVE PULLEY          |
| 11   | 25-7361                 |                          | Not Available | SET SCREW             |
| 12   | 33-9952                 |                          | Not Available | MOTOR PULLEY          |
| 13   | <a href="#">25-7117</a> |                          |               | Set Screw             |
| 14   | <a href="#">LA-1010</a> |                          |               | Motor Kit             |
| 15   | 35-0259                 |                          | Not Available | MOTOR SWITCH          |

|    |                         |                          |                                |
|----|-------------------------|--------------------------|--------------------------------|
| "  | <a href="#">33-9765</a> |                          | Switch, Motor                  |
| 16 | <a href="#">33-9945</a> |                          | Slide, Foot                    |
| 17 | 25-7418                 | <a href="#">33001178</a> | Back, Tumbler                  |
| 18 | <a href="#">25-7830</a> |                          | Spacer                         |
| 19 | <a href="#">33-9946</a> |                          | Isolator, Motor                |
| 20 | 33-9944                 | <a href="#">35-3570</a>  | Washer, Motor Pivot            |
| 21 | <a href="#">33-9942</a> |                          | Motor Plate                    |
| 22 | 33-9947                 |                          | Not Available                  |
|    |                         |                          | DBL.PIVOT SLIDE                |
| 23 | 25-6121                 | <a href="#">212951</a>   | Screw, No.6-32 X 1/4 Inch      |
| 24 | 33-9941                 | <a href="#">35-3646</a>  | Isolator, Motor Plate          |
| 25 | <a href="#">25-7831</a> |                          | Spacer, Mounting               |
| 26 | 33-9943                 | <a href="#">35-3571</a>  | Slide, Motor Pivot             |
| 27 | <a href="#">33-9967</a> |                          | Washer, Motor Isolator         |
| 28 | <a href="#">25-7047</a> |                          | Washer, Flat                   |
| 29 | 25-0224                 | <a href="#">3400029</a>  | Nut, Adapter Plate             |
| 30 | <a href="#">25-7834</a> |                          | Washer, Motor/Base Screw       |
| 31 | 25-7833                 | <a href="#">21001977</a> | Screw                          |
| 32 | 25-7265                 |                          | Not Available                  |
|    |                         |                          | WIRING CLAMP                   |
| 33 | 25-3106                 |                          | Not Available                  |
|    |                         |                          | SCREW                          |
| 34 | <a href="#">35-0235</a> |                          | Spring, Motor Pivot            |
| 35 | <a href="#">33-9579</a> |                          | Susp Housing                   |
| 36 | 35-0763                 | <a href="#">21001840</a> | Bearing                        |
| 37 | <a href="#">25-7850</a> |                          | Retaining Ring                 |
| 38 | <a href="#">33-9569</a> |                          | Tub Brace                      |
| 39 | 33-9391                 |                          | Not Available                  |
|    |                         |                          | BRACKET                        |
| 40 | <a href="#">25-7359</a> |                          | Screw                          |
| "  | <a href="#">25-7674</a> |                          | Screw                          |
| 41 | <a href="#">33-6880</a> |                          | Bracket                        |
| 42 | 25-7275                 |                          | Not Available                  |
|    |                         |                          | SCREW                          |
| 43 | 25-7413                 |                          | Not Available                  |
|    |                         |                          | FLAT WASHER                    |
| 44 | 25-7089                 |                          | Not Available                  |
|    |                         |                          | LOCKWASHER                     |
| 45 | 25-0048                 | <a href="#">Y052734</a>  | Nut, Carrage Bolts And Bracket |
| "  | 33-4287N                |                          | Not Available                  |
|    |                         |                          | BRAKE LATCH KIT                |
| 46 | 33-9576                 |                          | Not Available                  |
|    |                         |                          | BRAKE LATCH                    |
| 47 | <a href="#">33-9966</a> |                          | Brk Ltch Bearng                |
| 48 | 33-0279                 |                          | Not Available                  |
|    |                         |                          | WASHER                         |
| 49 | 25-7790                 |                          | Not Available                  |
|    |                         |                          | HEX HD BOLT                    |
| 50 | 25-6118                 |                          | Not Available                  |
|    |                         |                          | LOCKWASHER                     |
| 51 | <a href="#">25-7304</a> |                          | Locknut                        |
| 52 | 35-0472                 |                          | Not Available                  |
|    |                         |                          | BRAKE SOLENOID                 |
| 53 | 25-7432                 |                          | Not Available                  |
|    |                         |                          | SCREW                          |
| 54 | 25-6117                 |                          | Not Available                  |
|    |                         |                          | LOCKWASHER                     |
| 55 | 33-9521                 |                          | Not Available                  |
|    |                         |                          | BRAKE LINK                     |
| 56 | 35-0590                 |                          | Not Available                  |
|    |                         |                          | LATCH SPRING                   |
| 57 | 33-9554                 |                          | Not Available                  |
|    |                         |                          | SUPPORT BRACE                  |
| 58 | 25-7549                 |                          | Not Available                  |
|    |                         |                          | FLAT WASHER                    |
| 59 | 25-7275                 |                          | Not Available                  |
|    |                         |                          | SCREW                          |
| 60 | 25-7413                 |                          | Not Available                  |
|    |                         |                          | FLAT WASHER                    |
| 61 | 25-7089                 |                          | Not Available                  |
|    |                         |                          | LOCKWASHER                     |
| 62 | 25-7798                 |                          | Not Available                  |
|    |                         |                          | HEX NUT                        |
| 63 | 25-7838                 | <a href="#">25-7845</a>  | Speednut, Motor                |