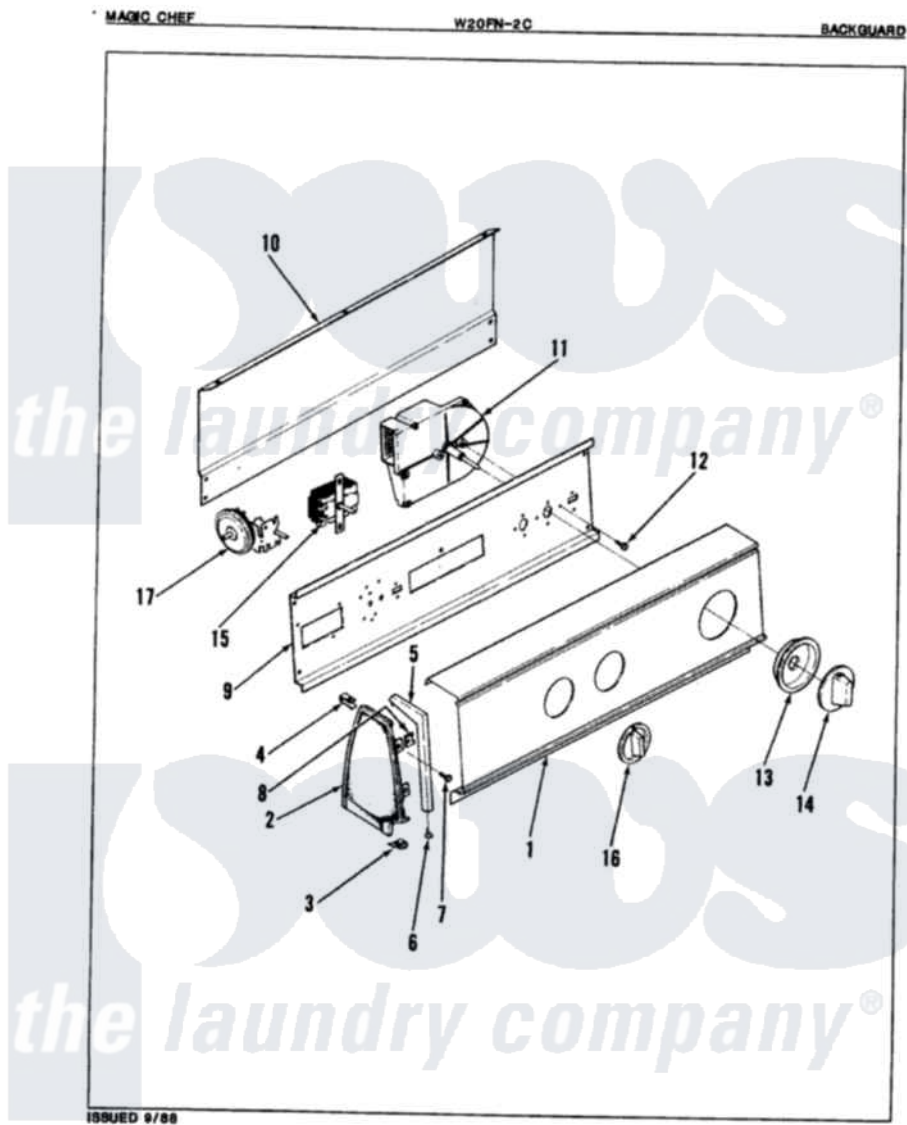


# Magic Chef W20FY2C 02 - CONTROL PANEL



Magic Chef [Residential Magic Chef W20FY2C Washer Parts](#) Parts Diagram 02 - CONTROL PANEL  
 Click on the part number to view part

| Item | Original Part Number    | Replaced By              | Status        | Part Description                        |
|------|-------------------------|--------------------------|---------------|---|
| 1    | 25-7649                 | <a href="#">910187</a>   |               | Screw                                   |
| "    | <a href="#">25-7702</a> |                          |               | Speedclip, End Cap To Control Panel     |
| 2    | <a href="#">53-0265</a> |                          |               | LH Endcap                               |
| "    | <a href="#">53-0264</a> |                          |               | RH Endcap                               |
| 3    | 34-9487                 |                          | Not Available | PLATE, REINFORCEMENT                    |
| "    | 25-7697                 | <a href="#">25-2219</a>  |               | Screw                                   |
| "    | <a href="#">25-7851</a> |                          |               | Speedclip, End Cap To Top               |
| 4    | 25-7435                 | <a href="#">33002917</a> |               | Screw, No.10-16                         |
| "    | <a href="#">25-7852</a> |                          |               | Speedclip, Rr Shld To End Cap           |
| 5    | 53-0277                 |                          | Not Available | TRIM, END CAP (RT)                      |
| "    | 53-0278                 |                          | Not Available | TRIM, END CAP (LT)                      |
| 6    | <a href="#">25-7760</a> |                          |               | Screw                                   |
| 7    | 25-3092                 | <a href="#">90767</a>    |               | Screw, 8A X 3/8 HeX Washer Head Tapping |
| 8    | <a href="#">25-7702</a> |                          |               | Speedclip, End Cap To Control Panel     |

|    |                         |                          |               |   |
|----|-------------------------|--------------------------|---------------|---|
| 9  | 53-0365                 | <a href="#">53-1676</a>  |               | Shield, Control                         |
| 10 | 25-7583                 |                          | Not Available | PLASTIC NUT                             |
| "  | <a href="#">25-3457</a> |                          |               | Screw, Sems                             |
| "  | 25-3092                 | <a href="#">90767</a>    |               | Screw, 8A X 3/8 HeX Washer Head Tapping |
| "  | 53-0268                 | <a href="#">21001460</a> |               | Shield, Rear                            |
| 11 | <a href="#">35-0117</a> |                          |               | Timer Motor 1/2rpm                      |
| "  | 35-0484                 |                          | Not Available | TIMER                                   |
| 12 | 25-0088                 | <a href="#">489483</a>   |               | Screw 10-32 X 1/2                       |
| 13 | 35-0318                 |                          | Not Available | HUB/SKIRT ASM                           |
| 14 | 35-0498                 | <a href="#">12500058</a> |               | Knob Ski                                |
| 15 | <a href="#">35-0119</a> |                          |               | Rotary Switch                           |
| "  | 25-3092                 | <a href="#">90767</a>    |               | Screw, 8A X 3/8 HeX Washer Head Tapping |
| 16 | 35-0168                 |                          | Not Available | SELECTOR KNOB                           |
| 17 | <a href="#">35-0782</a> |                          |               | Pressure Switch                         |
| "  | 25-3092                 | <a href="#">90767</a>    |               | Screw, 8A X 3/8 HeX Washer Head Tapping |

