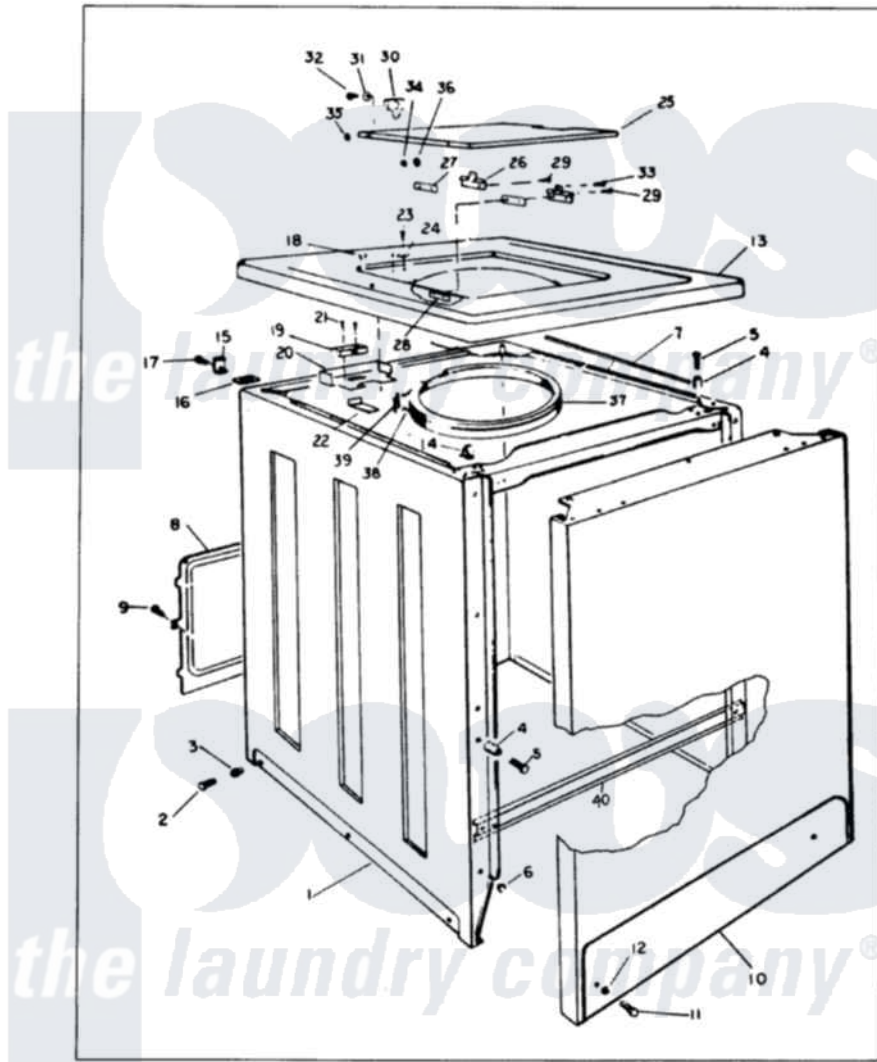


Magic Chef W20FY3 01 - BASE & DRIVE

MAGIC CHEF

W20FN-3

EXTERIOR



Issued 11/87

Magic Chef [Residential Magic Chef W20FY3 Washer Parts](#) Parts Diagram 01 - BASE & DRIVE

[Click on the part number to view part](#)

| Item | Original Part Number | Replaced By | Status | Part Description |
|------|-------------------------|--------------------------|---------------|-----------------------|
| 1 | 35-0058 | | | Base Assembly |
| 2 | 25-7365 | | | Eye Bolt |
| 3 | 33-9553 | | Not Available | SPRING |
| 4 | 25-7362 | | | Anchor Nut |
| 5 | 25-7727 | | Not Available | FLAT WASHER |
| 6 | 35-0771 | | | Leveling Leg |
| " | 33-0679 | 35-0771 | | Leveling Leg |
| 7 | 25-7032 | 25-7915 | | Hex Nut |
| 8 | 34-0062 | 25001119 | | Foot And Pad Assembly |
| 9 | 35-0465 | | Not Available | DRIVE BELT |
| 10 | 33-9374 | | Not Available | DRIVE PULLEY |
| 11 | 25-7361 | | Not Available | SET SCREW |
| 12 | 33-9952 | | Not Available | MOTOR PULLEY |
| 13 | 25-7117 | | | Set Screw |
| 14 | LA-1010 | | | Motor Kit |
| 15 | 35-0259 | | Not Available | MOTOR SWITCH |

| | | | |
|----|-------------------------|--------------------------|--------------------------------|
| " | 33-9765 | | Switch, Motor |
| 16 | 33-9945 | | Slide, Foot |
| 17 | 25-7418 | 33001178 | Back, Tumbler |
| 18 | 25-7830 | | Spacer |
| 19 | 33-9946 | | Isolator, Motor |
| 20 | 33-9944 | 35-3570 | Washer, Motor Pivot |
| 21 | 33-9942 | | Motor Plate |
| 22 | 33-9947 | | Not Available |
| | | | DBL.PIVOT SLIDE |
| 23 | 25-6121 | 212951 | Screw, No.6-32 X 1/4 Inch |
| 24 | 33-9941 | 35-3646 | Isolator, Motor Plate |
| 25 | 25-7831 | | Spacer, Mounting |
| 26 | 33-9943 | 35-3571 | Slide, Motor Pivot |
| 27 | 33-9967 | | Washer, Motor Isolator |
| 28 | 25-7047 | | Washer, Flat |
| 29 | 25-0224 | 3400029 | Nut, Adapter Plate |
| 30 | 25-7834 | | Washer, Motor/Base Screw |
| 31 | 25-7833 | 21001977 | Screw |
| 32 | 25-7265 | | Not Available |
| | | | WIRING CLAMP |
| 33 | 25-3106 | | Not Available |
| | | | SCREW |
| 34 | 35-0235 | | Spring, Motor Pivot |
| 35 | 33-9579 | | Susp Housing |
| 36 | 35-0763 | 21001840 | Bearing |
| 37 | 25-7850 | | Retaining Ring |
| 38 | 33-9569 | | Tub Brace |
| 39 | 33-9391 | | Not Available |
| | | | BRACKET |
| 40 | 25-7359 | | Screw |
| " | 25-7674 | | Screw |
| 41 | 33-6880 | | Bracket |
| 42 | 25-7275 | | Not Available |
| | | | SCREW |
| 43 | 25-7413 | | Not Available |
| | | | FLAT WASHER |
| 44 | 25-7089 | | Not Available |
| | | | LOCKWASHER |
| 45 | 25-0048 | Y052734 | Nut, Carrage Bolts And Bracket |
| " | 33-4287N | | Not Available |
| | | | BRAKE LATCH KIT |
| 46 | 33-9576 | | Not Available |
| | | | BRAKE LATCH |
| 47 | 33-9966 | | Brk Ltch Bearng |
| 48 | 33-0279 | | Not Available |
| | | | WASHER |
| 49 | 25-7790 | | Not Available |
| | | | HEX HD BOLT |
| 50 | 25-6118 | | Not Available |
| | | | LOCKWASHER |
| 51 | 25-7304 | | Locknut |
| 52 | 35-0472 | | Not Available |
| | | | BRAKE SOLENOID |
| 53 | 25-7432 | | Not Available |
| | | | SCREW |
| 54 | 25-6117 | | Not Available |
| | | | LOCKWASHER |
| 55 | 33-9521 | | Not Available |
| | | | BRAKE LINK |
| 56 | 35-0590 | | Not Available |
| | | | LATCH SPRING |
| 57 | 33-9554 | | Not Available |
| | | | SUPPORT BRACE |
| 58 | 25-7549 | | Not Available |
| | | | FLAT WASHER |
| 59 | 25-7275 | | Not Available |
| | | | SCREW |
| 60 | 25-7413 | | Not Available |
| | | | FLAT WASHER |
| 61 | 25-7089 | | Not Available |
| | | | LOCKWASHER |
| 62 | 25-7798 | | Not Available |
| | | | HEX NUT |
| 63 | 25-7838 | 25-7845 | Speednut, Motor |