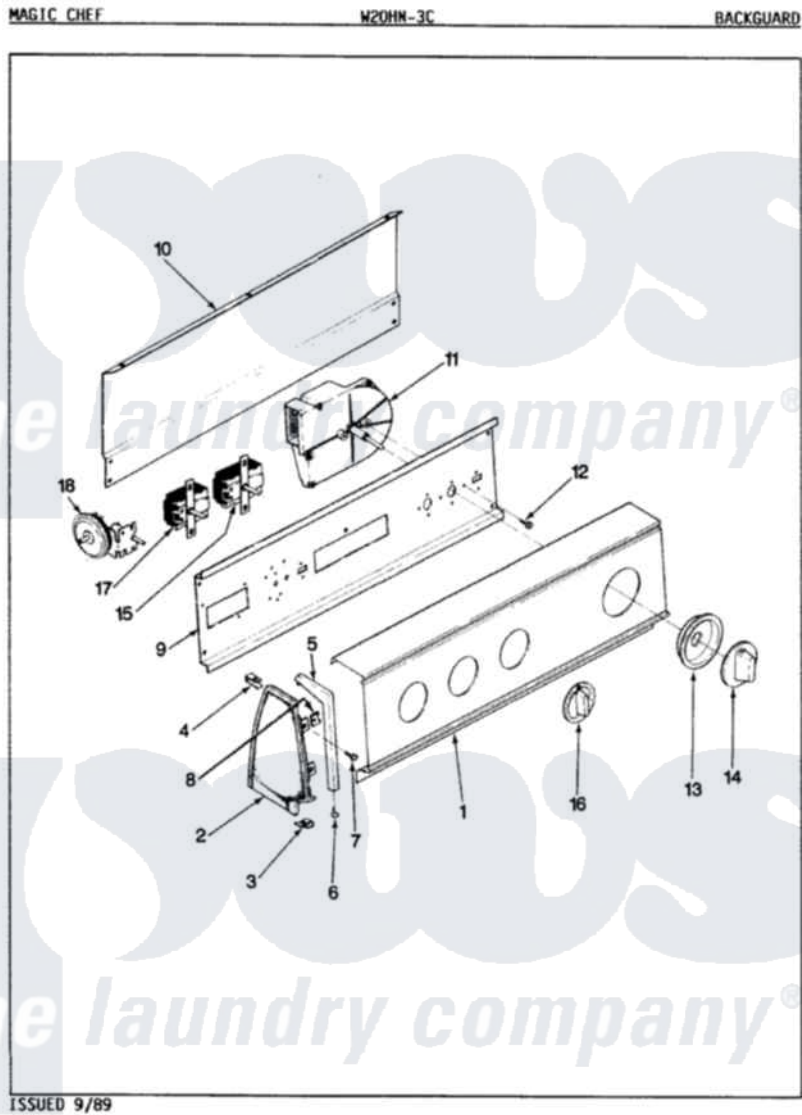


# Magic Chef W20HA3C 03 - CONTROL PANEL (REV. A-D)



Magic Chef [Residential Magic Chef W20HA3C Washer Parts](#) Parts Diagram 03 - CONTROL PANEL (REV. A-D)  
 Click on the part number to view part

Item	Original Part Number	Replaced By	Status	Part Description
1	35-2168		Not Available	CONTROL PANEL
"	<a href="#">25-7793</a>			Screw
"	<a href="#">25-7702</a>			Speedclip, End Cap To Control Panel
"	35-2553		Not Available	PANEL, CONTROL
2	<a href="#">53-0265</a>			LH Endcap
"	<a href="#">53-0264</a>			RH Endcap
"	35-2487	<a href="#">21001451</a>		Cap- End
"	35-2488	<a href="#">21001452</a>		Cap- End
3	<a href="#">25-7851</a>			Speedclip, End Cap To Top
"	34-9487		Not Available	PLATE, REINFORCEMENT
"	25-7697	<a href="#">25-2219</a>		Screw
4	25-7435	<a href="#">33002917</a>		Screw, No.10-16
"	<a href="#">25-7852</a>			Speedclip, Rr Shld To End Cap
5	53-0277		Not Available	TRIM, END CAP (RT)
"	53-0278		Not Available	TRIM, END CAP (LT)

6	<a href="#">25-7760</a>		Screw
7	25-3092	<a href="#">90767</a>	Screw, 8A X 3/8 HeX Washer Head Tapping
8	<a href="#">25-7702</a>		Speedclip, End Cap To Control Panel
9	53-0365	<a href="#">53-1676</a>	Shield, Control
"	<a href="#">53-1676</a>		Shield, Control
10	25-7853	<a href="#">25-7933</a>	Ring, Retaining
"	<a href="#">25-3457</a>		Screw, Sems
"	53-0268	<a href="#">21001460</a>	Shield, Rear
"	35-2688	<a href="#">21001460</a>	Shield, Rear
"	25-3092	<a href="#">90767</a>	Screw, 8A X 3/8 HeX Washer Head Tapping
11	35-2211	Not Available	TIMER
12	25-0205	<a href="#">216412</a>	Screw, Bracket To Timer
13	35-2254	<a href="#">12500058</a>	Knob Ski
14	35-2187	<a href="#">12500058</a>	Knob Ski
15	25-3092	<a href="#">90767</a>	Screw, 8A X 3/8 HeX Washer Head Tapping
"	35-0114	Not Available	TEMP SWITCH
16	35-2185	<a href="#">21001283</a>	Knob, Selector---Piq
17	25-3092	<a href="#">90767</a>	Screw, 8A X 3/8 HeX Washer Head Tapping
"	35-2193	Not Available	SWITCH, ROTARY SPEED
18	25-3092	<a href="#">90767</a>	Screw, 8A X 3/8 HeX Washer Head Tapping
"	35-2145	<a href="#">21001554</a>	Switch, Water Level
19	35-2568	Not Available	MANUAL, USE & CARE

*the laundry company*<sup>®</sup>

*the laundry company*<sup>®</sup>