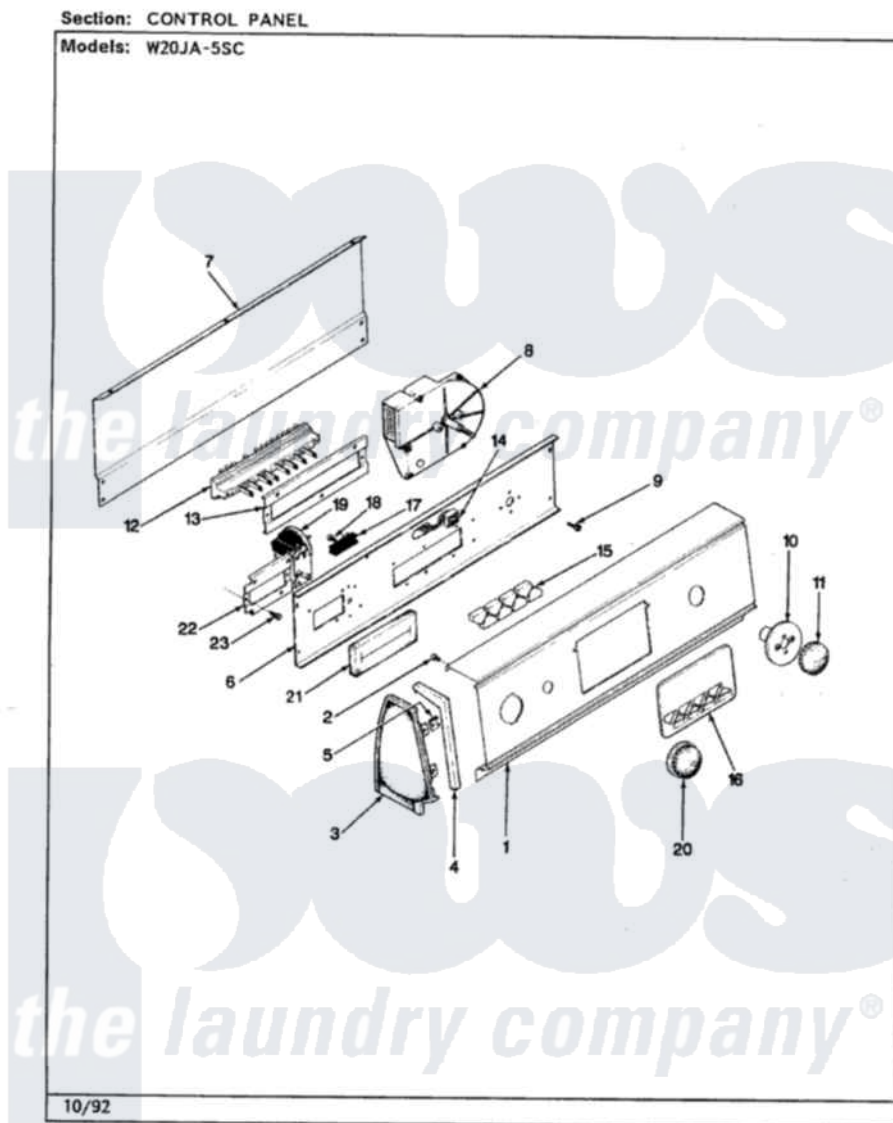


# Magic Chef W20JA5SC 02 - CONTROL PANEL (REV. A-D)



Magic Chef [Residential Magic Chef W20JA5SC Washer Parts](#) Parts Diagram 02 - CONTROL PANEL (REV. A-D)  
Click on the part number to view part

Item	Original Part Number	Replaced By	Status	Part Description
1	<a href="#">35-2848</a>			Control Panel
2	25-7435	<a href="#">33002917</a>		Screw, No.10-16
"	<a href="#">25-7852</a>			Speedclip, Rr Shld To End Cap
3	<a href="#">25-7702</a>			Speedclip, End Cap To Control Panel
"	25-7649	<a href="#">910187</a>		Screw
"	<a href="#">25-7852</a>			Speedclip, Rr Shld To End Cap
"	25-7697	<a href="#">25-2219</a>		Screw
"	<a href="#">25-7851</a>			Speedclip, End Cap To Top
"	35-2487	<a href="#">21001451</a>		Cap- End
"	35-2488	<a href="#">21001452</a>		Cap- End
"	25-7435	<a href="#">33002917</a>		Screw, No.10-16
4	<a href="#">25-7760</a>			Screw
"	53-0277		Not Available	TRIM, END CAP (RT)
"	53-0278		Not Available	TRIM, END CAP (LT)

5	25-3092	<a href="#">90767</a>	Screw, 8A X 3/8 HeX Washer Head Tapping
"	<a href="#">25-7702</a>		Speedclip, End Cap To Control Panel
6	35-2680	Not Available	CONTROL SHIELD
7	25-7583	Not Available	PLASTIC NUT
"	<a href="#">25-3457</a>		Screw, Sems
"	35-2688	<a href="#">21001460</a>	Shield, Rear
"	25-3092	<a href="#">90767</a>	Screw, 8A X 3/8 HeX Washer Head Tapping
8	<a href="#">35-2845</a>		Timer
9	25-0205	<a href="#">216412</a>	Screw, Bracket To Timer
10	35-2254	<a href="#">12500058</a>	Knob Ski
11	35-2486	<a href="#">12500058</a>	Knob Ski
12	<a href="#">35-2837</a>		Switch P.b. 8pos
13	33-6623	Not Available	BRACKET
"	25-3092	<a href="#">90767</a>	Screw, 8A X 3/8 HeX Washer Head Tapping
14	35-0691-03	Not Available	SIGNAL LIGHT
"	35-0691-01	Not Available	SIGNAL LIGHT
"	35-0691-04	Not Available	SIGNAL LIGHT
"	35-0691-08	Not Available	LIGHT - COLD/RINSE
15	35-2163-09	Not Available	PUSHBUTTON - DELICATE
"	35-2163-13	Not Available	PUSHBUTTON
"	35-2163-12	Not Available	PUSHBUTTON (COLORFAST)
"	35-2163-11	Not Available	PUSHBUTTON - STAINCLEANER II
"	35-2163-10	Not Available	PUSHBUTTON - STAINCLEANER I
"	<a href="#">35-2163-03</a>		Pushbutton
"	<a href="#">53-1271-04</a>		Push Button
"	<a href="#">35-2163-02</a>		Pushbutton
16	35-0685	Not Available	PB BEZEL
"	35-2853	Not Available	LENS
"	25-7882	Not Available	PALNUT
"	35-0690	Not Available	LENS
17	35-2257	<a href="#">7401P037-60</a>	Block, Terminal
18	25-7649	<a href="#">910187</a>	Screw
19	25-3092	<a href="#">90767</a>	Screw, 8A X 3/8 HeX Washer Head Tapping
"	35-2801	<a href="#">21001554</a>	Switch, Water Level
"	35-3283	<a href="#">21001554</a>	Switch, Water Level
20	35-2475	Not Available	SELECTOR KNOB
21	33-8541	Not Available	SWITCH PAD
22	33-6621	Not Available	BRACKET, SWITCH
23	25-3092	<a href="#">90767</a>	Screw, 8A X 3/8 HeX Washer Head Tapping
"	25-7712	Not Available	SCREW
24	35-3289	Not Available	MANUAL, USE & CARE
25	16000329	Not Available	GUIDE, QUICK REF. - MAGIC CHEF