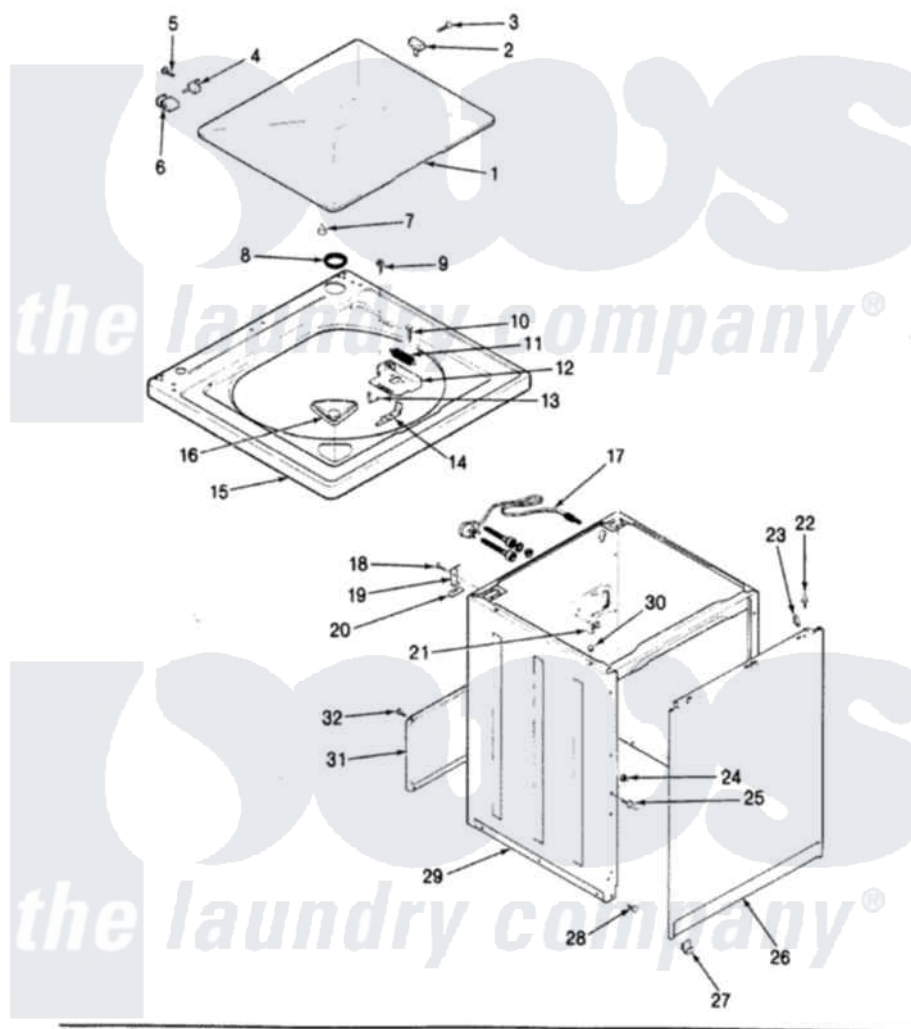


Magic Chef W20JN4S 05 - EXTERIOR

SECTION: EXTERIOR
MODEL: W20JN-4S



Issue Date: 4/91

Magic Chef [Residential Magic Chef W20JN4S Washer Parts](#) Parts Diagram 05 - EXTERIOR
Click on the part number to view part

| Item | Original Part Number | Replaced By | Status | Part Description |
|------|-------------------------|-----------------------------|--------|--------------------------|
| 1 | 35-2864 | 35-2026 | | Lid |
| 2 | 25-7436 | | | Nylite Washer |
| " | 43-0057 | | | Actuator, Door Switch |
| 3 | 25-7438 | | | Screw |
| 4 | 35-2045 | | | Pin, Hinge |
| " | 25-7086 | Y0308025 | | Washer, Stainless Steel |
| 5 | 25-7893 | | | Screw |
| 6 | 35-2044 | | | Hinge, Lid |
| 7 | 35-0581 | | | Bumper, Door |
| 8 | 35-2063 | | | Bushing, Insulator |
| 9 | 25-7463 | 7101P012-60 | | Screw |
| 10 | 25-7437 | 40040701 | | Screw, Tapping No.6b-20 |
| 11 | 35-2814 | 12001187 | | Kit, Lid Switch Assembly |
| 12 | 35-2795 | 12001187 | | Kit, Lid Switch Assembly |
| 13 | 25-7878 | | | Clip |
| 14 | 35-2805 | 12001187 | | Kit, Lid Switch Assembly |

| | | | | |
|----|----------------------------|--------------------------|---------------|--------------------------|
| 15 | 35-2739-24 | | Not Available | TOP, CABINET (ALM) |
| " | 35-2739 | | | Top, Cabinet |
| " | 35-2739-25 | | Not Available | TOP, CABINET (HARV.WT) |
| 16 | 33-9906 | 21001167 | | Dispenser, Bleach |
| 17 | 35-0680 | | Not Available | CORD, POWER |
| 18 | 25-7893 | | | Screw |
| 19 | 33-7450 | 35-2846 | | Hinge, Cabinet Top |
| 20 | 33-0930 | | | Pad, Top Hinge |
| 21 | 33-6099 | | | Clamp |
| 22 | 53-0643 | | | Pin, Locator |
| 23 | 34-9701 | | | Guide, Cabinet |
| 24 | 25-0224 | 3400029 | | Nut, Adapter Plate |
| 25 | 53-0643 | | | Pin, Locator |
| 26 | 35-2084-24 | | | Panel, Front |
| " | 35-2084-25 | | Not Available | PANEL, FRONT |
| " | 35-2084 | | | Panel, Front |
| 27 | 53-0120 | | | Clip, Front Panel |
| 28 | 33-2653 | | | Bumper, Cabinet |
| 29 | 35-2106-24 | 12001802 | | Kit, Cabinet/Rear Shield |
| " | 35-2106-25 | | Not Available | CABINET ASSY. (HW) |
| " | 35-2106 | 21001871 | | Cabinet |
| 30 | 33-2653 | | | Bumper, Cabinet |
| 31 | 35-2108 | 21001871 | | Cabinet |
| 32 | 25-7733 | 681414 | | Screw, 10AB X 1/2 |

