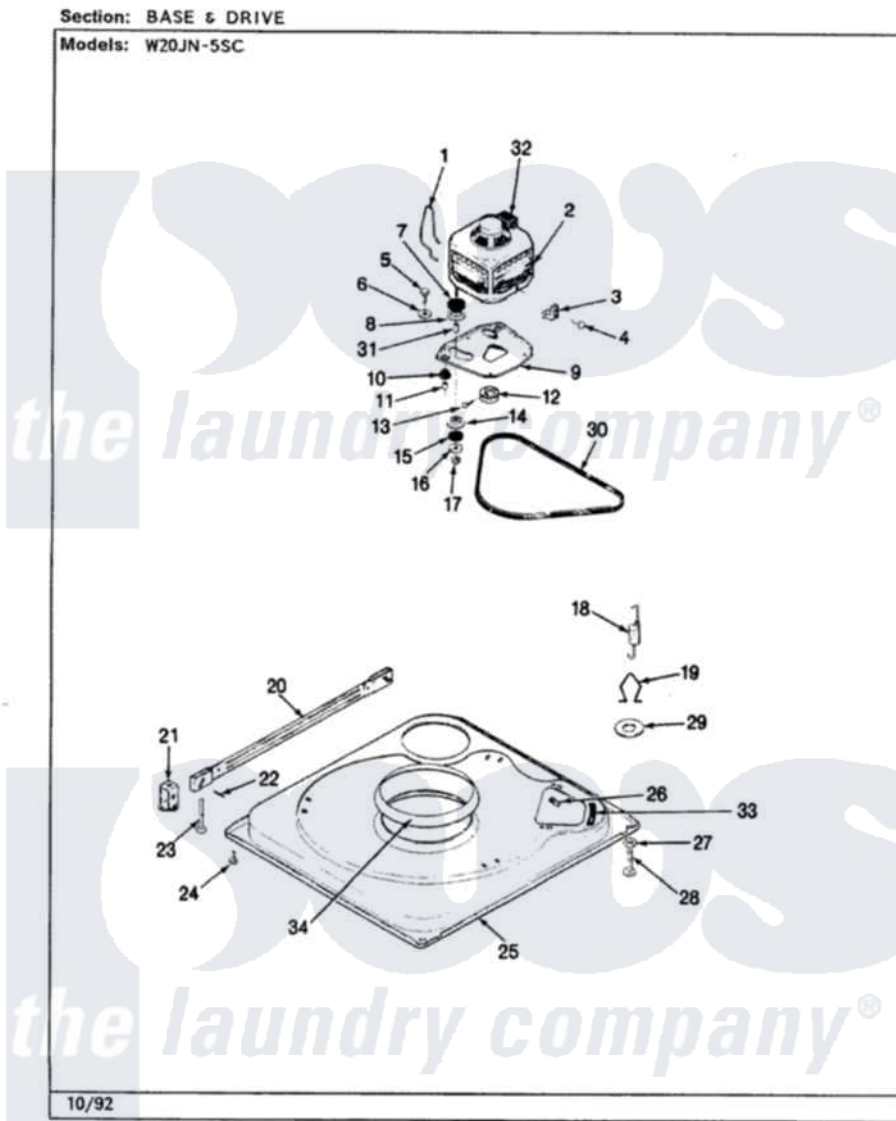


Magic Chef W20JN5SC 01 - BASE & DRIVE (W20JN5SC)(REV. A-D)



Magic Chef Residential Magic Chef W20JN5SC Washer Parts Parts Diagram 01 - BASE & DRIVE (W20JN5SC)(REV. A-D)

Click on the part number to view part

| Item | Original Part Number    | Replaced By               | Status        | Part Description         |
|------|-------------------------|---------------------------|---------------|--------------------------|
| 1    | <a href="#">35-0235</a> |                           |               | Spring, Motor Pivot      |
| 2    | LA-2002                 |                           | Not Available | MOTOR KIT                |
| "    | 35-2030                 |                           | Not Available | MOTOR                    |
| 3    | <a href="#">33-9945</a> |                           |               | Slide, Foot              |
| 4    | 25-7418                 | <a href="#">33001178</a>  |               | Back, Tumbler            |
| 5    | 25-7833                 | <a href="#">21001977</a>  |               | Screw                    |
| 6    | <a href="#">25-7834</a> |                           |               | Washer, Motor/Base Screw |
| 7    | <a href="#">33-9946</a> |                           |               | Isolator, Motor          |
| 8    | 33-9944                 | <a href="#">35-3570</a>   |               | Washer, Motor Pivot      |
| 9    | 35-2810                 | <a href="#">21001783</a>  |               | Plate And Screw Assembly |
| 10   | 33-9941                 | <a href="#">35-3646</a>   |               | Isolator, Motor Plate    |
| 11   | <a href="#">25-7831</a> |                           |               | Spacer, Mounting         |
| 12   | 35-2124                 | <a href="#">W10143344</a> |               | Pulley                   |
| 13   | <a href="#">25-7117</a> |                           |               | Set Screw                |
| 14   | 33-9943                 | <a href="#">35-3571</a>   |               | Slide, Motor Pivot       |
| 15   | <a href="#">33-9967</a> |                           |               | Washer, Motor Isolator   |

|    |                          |                          |                               |
|----|--------------------------|--------------------------|-------------------------------|
| 16 | <a href="#">25-7047</a>  |                          | Washer, Flat                  |
| 17 | 25-7325                  | <a href="#">Y707702</a>  | Locknut                       |
| 18 | 35-2681                  | Not Available            | SPRING, SUSPENSION            |
| "  | <a href="#">35-3658</a>  |                          | Spring, Suspension            |
| 19 | 35-2976                  | Not Available            | HOOK, SUSPENSION<br>SPRING    |
| 20 | 35-2049                  | <a href="#">21001881</a> | Bar, Stabilizer               |
| 21 | <a href="#">35-2046</a>  |                          | Bracket, Stabilizer           |
| 22 | <a href="#">35-2052</a>  |                          | Pin, Stabilizer               |
| 23 | 35-2050                  | <a href="#">22004469</a> | Leg And Foot Self Stabalizing |
| 24 | 25-7828                  | <a href="#">489483</a>   | Screw 10-32 X 1/2             |
| "  | 35-2039                  | Not Available            | PAD, FOOT                     |
| 25 | 35-2984                  | Not Available            | BASE                          |
| 26 | 25-7838                  | <a href="#">25-7845</a>  | Speednut, Motor               |
| 27 | <a href="#">25-7915</a>  |                          | Hex Nut                       |
| 28 | 35-0772                  | <a href="#">25001119</a> | Foot And Pad Assembly         |
| "  | 35-0837                  | <a href="#">25001119</a> | Foot And Pad Assembly         |
| 29 | <a href="#">Y25-7951</a> |                          | Washer, Suspension Hook       |
| 30 | 35-2320                  | <a href="#">21352320</a> | Belt, Drive                   |
| 31 | <a href="#">25-7830</a>  |                          | Spacer                        |
| 32 | <a href="#">33-9765</a>  |                          | Switch, Motor                 |
| 33 | <a href="#">35-2065</a>  |                          | Pad, Motor Plate              |
| 34 | 35-2357                  | <a href="#">21002026</a> | Snubber                       |

