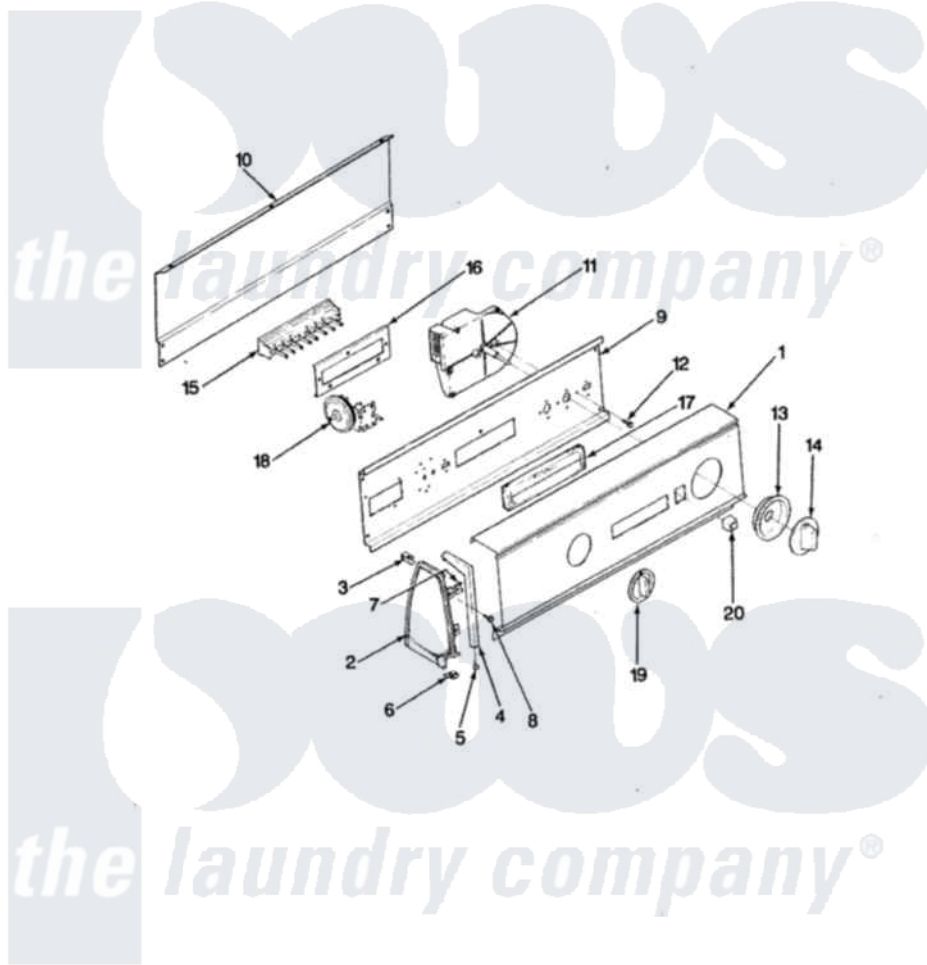


# Magic Chef W20JY4C 04 - CONTROL PANEL (REV. A-D)

SECTION: BACKGUARD  
 MODEL: W20JN-4C



Issue Date: 5/90

Magic Chef [Residential Magic Chef W20JY4C Washer Parts](#) Parts Diagram 04 - CONTROL PANEL (REV. A-D)  
 Click on the part number to view part

| Item | Original Part Number    | Replaced By              | Status        | Part Description                    |
|------|-------------------------|--------------------------|---------------|-------------------------------------|
| 1    | 35-2167                 |                          | Not Available | CONTROL PANEL                       |
| "    | 25-7649                 | <a href="#">910187</a>   |               | Screw                               |
| "    | <a href="#">25-7702</a> |                          |               | Speedclip, End Cap To Control Panel |
| 2    | <a href="#">53-0265</a> |                          |               | LH Endcap                           |
| "    | <a href="#">53-0264</a> |                          |               | RH Endcap                           |
| "    | 35-2488                 | <a href="#">21001452</a> |               | Cap- End                            |
| "    | 35-2487                 | <a href="#">21001451</a> |               | Cap- End                            |
| 3    | 25-7435                 | <a href="#">33002917</a> |               | Screw, No.10-16                     |
| "    | <a href="#">25-7852</a> |                          |               | Speedclip, Rr Shld To End Cap       |
| 4    | 53-0278                 |                          | Not Available | TRIM, END CAP (LT)                  |
| "    | 53-0277                 |                          | Not Available | TRIM, END CAP (RT)                  |
| 5    | <a href="#">25-7760</a> |                          |               | Screw                               |
| 6    | 25-7697                 | <a href="#">25-2219</a>  |               | Screw                               |
| "    | <a href="#">25-7851</a> |                          |               | Speedclip, End Cap To Top           |
| "    | 34-9487                 |                          | Not Available | PLATE, REINFORCEMENT                |

|    |                         |                          |   |
|----|-------------------------|--------------------------|---|
| 7  | <a href="#">25-7702</a> |                          | Speedclip, End Cap To Control Panel     |
| 8  | 25-3092                 | <a href="#">90767</a>    | Screw, 8A X 3/8 HeX Washer Head Tapping |
| 9  | 53-1677                 |                          | Not Available                           |
| "  | 53-0267                 |                          | Not Available                           |
| 10 | 25-3092                 | <a href="#">90767</a>    | Screw, 8A X 3/8 HeX Washer Head Tapping |
| "  | <a href="#">25-3457</a> |                          | Screw, Sems                             |
| "  | 53-0268                 | <a href="#">21001460</a> | Shield, Rear                            |
| "  | 25-7583                 |                          | Not Available                           |
| "  | 35-2688                 | <a href="#">21001460</a> | Shield, Rear                            |
| 11 | 35-2211                 |                          | Not Available                           |
| 12 | 25-0205                 | <a href="#">216412</a>   | Screw, Bracket To Timer                 |
| 13 | 35-2254                 | <a href="#">12500058</a> | Knob Ski                                |
| 14 | 35-2486                 | <a href="#">12500058</a> | Knob Ski                                |
| 15 | <a href="#">35-2197</a> |                          | Switch                                  |
| 16 | 33-6620                 |                          | Not Available                           |
| "  | 25-3092                 | <a href="#">90767</a>    | Screw, 8A X 3/8 HeX Washer Head Tapping |
| 17 | 33-8540                 |                          | Not Available                           |
| 18 | 35-2145                 | <a href="#">21001554</a> | Switch, Water Level                     |
| "  | 25-3092                 | <a href="#">90767</a>    | Screw, 8A X 3/8 HeX Washer Head Tapping |
| 19 | 35-2185                 | <a href="#">21001283</a> | Knob, Selector----Piq                   |
| 20 | 35-2574-1               |                          | Not Available                           |
| "  | 35-2588                 |                          | Not Available                           |

*the laundry company*<sup>®</sup>

*the laundry company*<sup>®</sup>