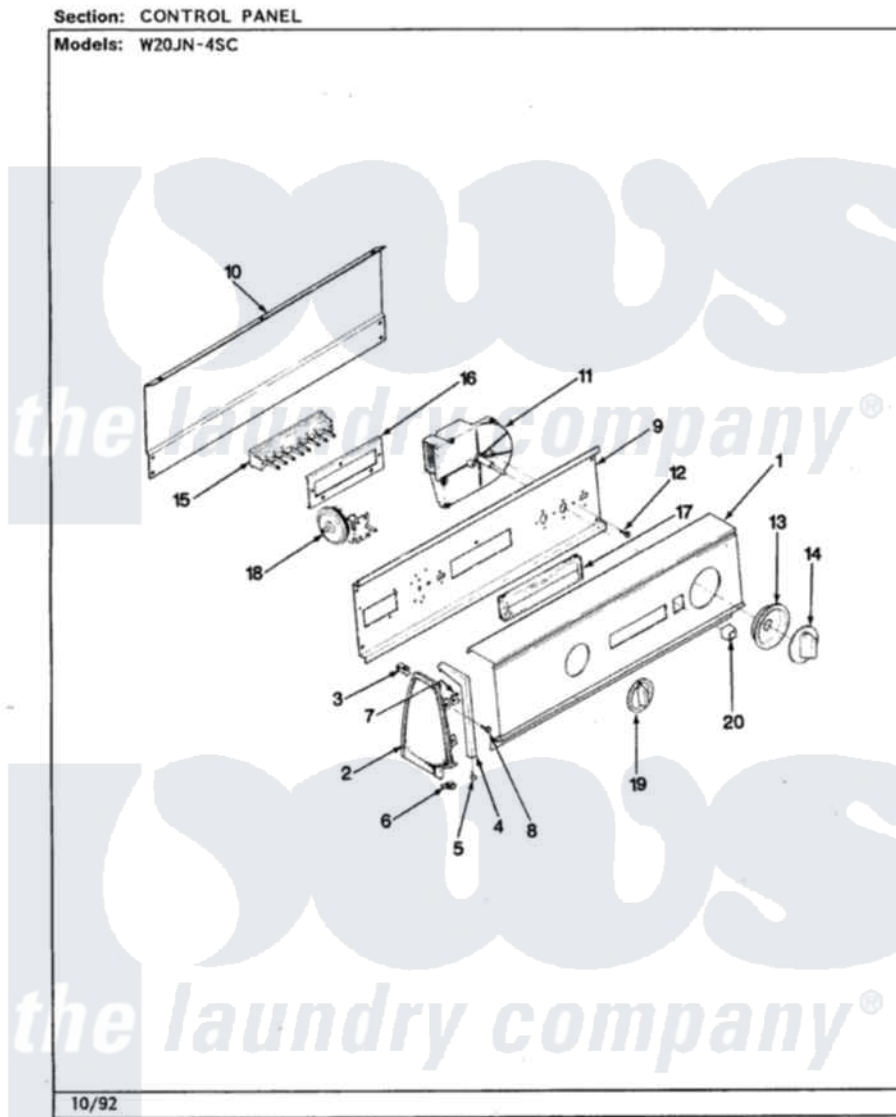


Magic Chef W20JY4SC 03 - CONTROL PANEL



Magic Chef [Residential Magic Chef W20JY4SC Washer Parts](#) Parts Diagram 03 - CONTROL PANEL
Click on the part number to view part

| Item | Original Part Number | Replaced By | Status | Part Description |
|------|-------------------------|--------------------------|---------------|-------------------------------------|
| 1 | 25-7702 | | | Speedclip, End Cap To Control Panel |
| " | 25-7649 | 910187 | | Screw |
| " | 35-2849 | | Not Available | CONTROL PANEL |
| 2 | 35-2488 | 21001452 | | Cap- End |
| " | 35-2487 | 21001451 | | Cap- End |
| 3 | 25-7852 | | | Speedclip, Rr Shld To End Cap |
| " | 25-7435 | 33002917 | | Screw, No.10-16 |
| 4 | 53-0278 | | Not Available | TRIM, END CAP (LT) |
| " | 53-0277 | | Not Available | TRIM, END CAP (RT) |
| 5 | 25-7760 | | | Screw |
| 6 | 25-7851 | | | Speedclip, End Cap To Top |
| " | 25-7697 | 25-2219 | | Screw |
| " | 34-9487 | | Not Available | PLATE, REINFORCEMENT |
| 7 | 25-7702 | | | Speedclip, End Cap To Control Panel |

| | | | |
|----|-------------------------|--------------------------|---|
| 8 | 25-3092 | 90767 | Screw, 8A X 3/8 HeX Washer Head Tapping |
| 9 | 53-1677 | Not Available | CONTROL SHIELD |
| 10 | 25-3457 | | Screw, Sems |
| " | 35-2688 | 21001460 | Shield, Rear |
| " | 25-3092 | 90767 | Screw, 8A X 3/8 HeX Washer Head Tapping |
| " | 25-7583 | Not Available | PLASTIC NUT |
| 11 | 35-2845 | | Timer |
| 12 | 25-0205 | 216412 | Screw, Bracket To Timer |
| 13 | 35-2254 | 12500058 | Knob Ski |
| 14 | 35-2486 | 12500058 | Knob Ski |
| 15 | 35-2836 | Not Available | SWITCH P.B. 8POS |
| 16 | 25-3092 | 90767 | Screw, 8A X 3/8 HeX Washer Head Tapping |
| " | 33-6620 | Not Available | BRACKET |
| 17 | 33-8540 | Not Available | SWITCH PAD |
| 18 | 25-3092 | 90767 | Screw, 8A X 3/8 HeX Washer Head Tapping |
| " | 35-2801 | 21001554 | Switch, Water Level |
| 19 | 35-2185 | 21001283 | Knob, Selector---Piq |
| 20 | 35-2588 | Not Available | PUSHBUTTON - BLACK |
| " | 35-2920 | Not Available | MANUAL, USE & CARE |

