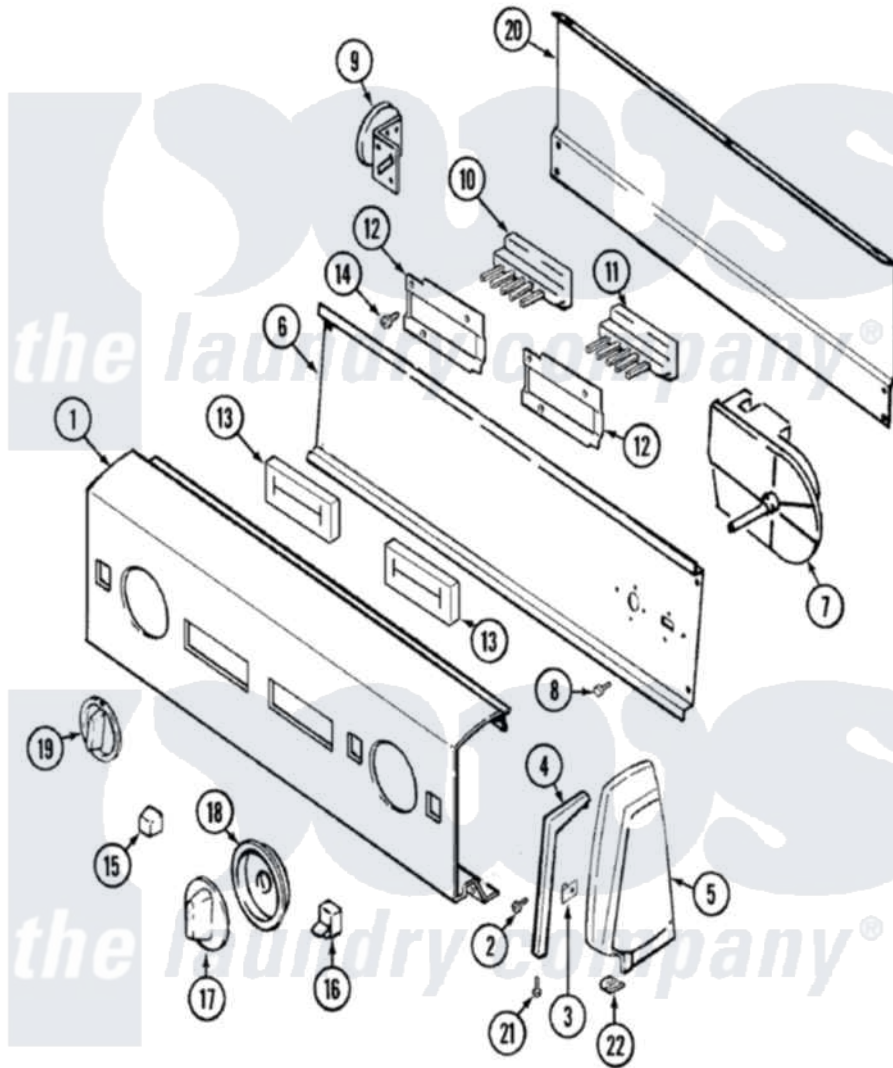


# Magic Chef W228LV 02 - CONTROL PANEL



Magic Chef [Residential Magic Chef W228LV Washer Parts](#) Parts Diagram 02 - CONTROL PANEL  
 Click on the part number to view part

| Item | Original Part Number     | Replaced By              | Status        | Part Description                        |
|------|--------------------------|--------------------------|---------------|---|
| 1    | 21001156                 |                          | Not Available | PANEL, CONTROL (WHT)                    |
| "    | <a href="#">25-3457</a>  |                          |               | Screw, Sems                             |
| 2    | <a href="#">25-7760</a>  |                          |               | Screw                                   |
| 3    | <a href="#">25-7702</a>  |                          |               | Speedclip, End Cap To Control Panel     |
| 4    | 31001055                 |                          | Not Available | TRIM, ENDCAP (LT WHT)                   |
| "    | 31001054                 |                          | Not Available | TRIM, ENDCAP (RT WHT)                   |
| 5    | 35-2669                  |                          | Not Available | CAP, END (LT)(WHT)                      |
| "    | 35-2668                  | <a href="#">21001453</a> |               | Cap- End                                |
| 6    | 25-3092                  | <a href="#">90767</a>    |               | Screw, 8A X 3/8 HeX Washer Head Tapping |
| "    | 35-3190                  |                          | Not Available | SHIELD, CONTROL                         |
| "    | 31001146                 | <a href="#">31001193</a> |               | Pad, Shield                             |
| 7    | <a href="#">21001325</a> |                          |               | Timer                                   |
| "    | <a href="#">35-3843</a>  |                          |               | Timer                                   |
| 8    | 31001029                 | <a href="#">3400094</a>  |               | Screw, 10-32 X 3/8                      |
| 9    | 35-3691                  | <a href="#">21001554</a> |               | Switch, Water Level                     |

|    |                         |                          |   |
|----|-------------------------|--------------------------|---|
| "  | 25-3092                 | <a href="#">90767</a>    | Screw, 8A X 3/8 HeX Washer Head Tapping |
| 10 | <a href="#">35-3862</a> |                          | Switch, 4 Pushbutton                    |
| 11 | <a href="#">35-3861</a> |                          | Switch, 5 Pushbutton                    |
| 12 | 33-6621                 | Not Available            | BRACKET, SWITCH                         |
| 13 | 35-3515                 | Not Available            | PAD, SWITCH                             |
| 14 | 25-3092                 | <a href="#">90767</a>    | Screw, 8A X 3/8 HeX Washer Head Tapping |
| "  | 25-7712                 | Not Available            | SCREW                                   |
| 15 | <a href="#">35-3191</a> |                          | Pushbutton                              |
| 16 | 35-3898                 | <a href="#">21001813</a> | Switch, Rocker                          |
| 17 | 35-3963                 | <a href="#">21001237</a> | Knob, Timer                             |
| 18 | 35-3965                 | <a href="#">21001502</a> | Skirt Ri                                |
| 19 | 35-3961                 | <a href="#">21001239</a> | Knob, Selector                          |
| 20 | 35-2688                 | <a href="#">21001460</a> | Shield, Rear                            |
| 21 | 25-7496                 | <a href="#">25-7760</a>  | Screw                                   |
| 22 | <a href="#">25-7851</a> |                          | Speedclip, End Cap To Top               |
| 23 | 21001172                | Not Available            | MANUAL, USE & CARE                      |
| "  | 21001053                | Not Available            | MANUAL, USE & CARE                      |
| 24 | 16000329                | Not Available            | GUIDE, QUICK REF. - MAGIC CHEF          |

