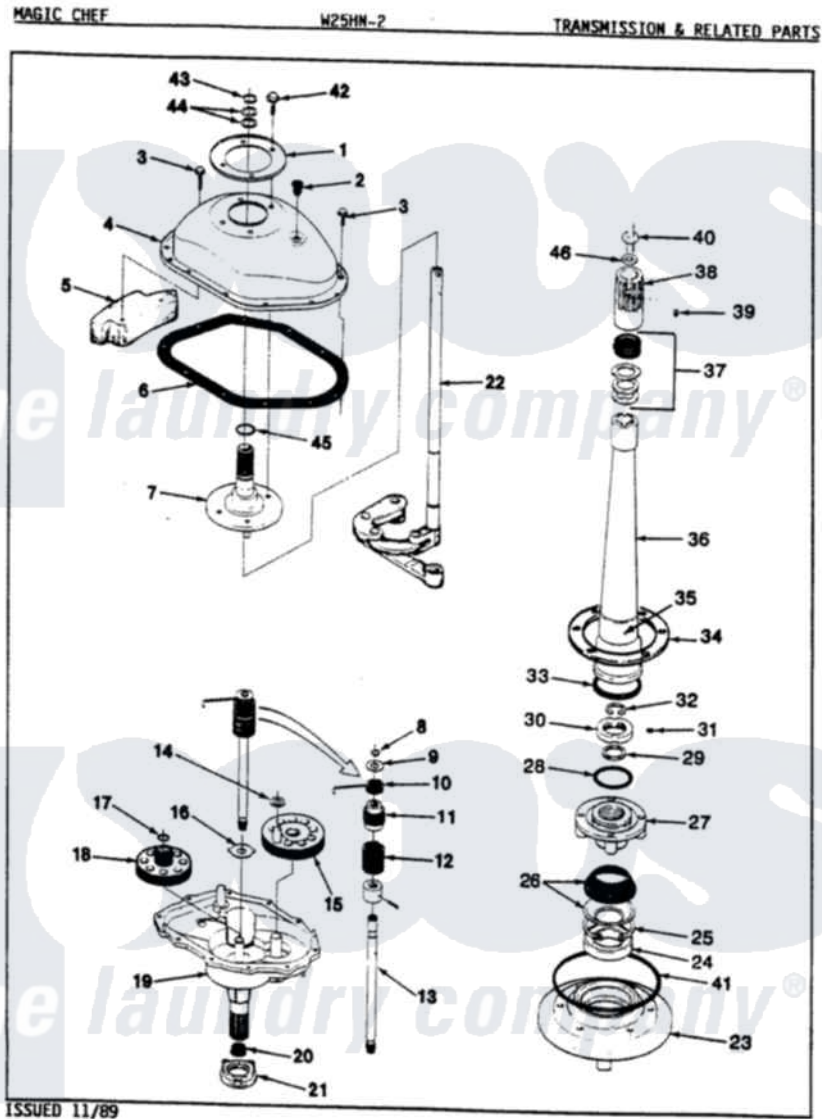


Magic Chef W25HY2 10 - TRANSMISSION (REV. E-F)



Magic Chef [Residential Magic Chef W25HY2 Washer Parts](#) Parts Diagram 10 - TRANSMISSION (REV. E-F)
 Click on the part number to view part

| Item | Original Part Number | Replaced By | Status | Part Description |
|------|--------------------------|--------------------------|---------------|------------------------------|
| 1 | 33-9893 | 33-7187 | | Covr Reinforcmt |
| 2 | 35-2621 | | | Plug, Oil Fill |
| " | 33-9373 | | Not Available | OIL FILL PLUG |
| 3 | 25-7916 | | | Bolt |
| 4 | 33-4286N | | | Transmission Cover Kit |
| " | 35-2620 | | Not Available | COVER, TRANSMISSION |
| 5 | 35-2130 | | Not Available | COUNTER WEIGHT |
| " | 35-2642 | | | Counterweight |
| 6 | 35-1030 | | Not Available | GASKET, TRANSMISSION HOUSING |
| 7 | 35-2654 | | | Drive Tube Assembly |
| " | 33-8763 | 33-4286N | | Transmission Cover Kit |
| 8 | 25-7847 | | | Ring, Retaining |
| 9 | 25-7416 | | Not Available | WASHER, FLAT |
| 10 | 33-6114 | 33-6463 | | Spring |
| 11 | 35-2001 | | | Pinion, Drive |
| 12 | 33-3195 | | Not Available | SPRING |

| | | | |
|----|--------------------------|--------------------------|------------------------------------|
| 13 | LA-2005 | | Clutch Assembly Kit |
| " | 35-2116 | Not Available | DRIVE SHAFT & HUB ASSY |
| 14 | 25-7091 | | Thrust Washer |
| 15 | 35-2043 | | Crank Gear |
| " | 35-2631 | Not Available | GEAR, CRANK |
| 16 | 25-7274 | Not Available | WASHER, STEEL |
| " | 35-2070 | | Washer, Steel W/Tab |
| " | 35-2462 | 35-3825 | Washer, Nylon |
| 17 | 25-7853 | 25-7933 | Ring, Retaining |
| 18 | 35-2013 | 35-0547 | Cluster Gear |
| " | 35-2527 | | Gear, Cluster |
| 19 | 35-2640 | Not Available | TRANSMISSION HOUSING |
| " | 35-2012 | Not Available | TRANSMISSION HOUSING ASSY |
| 20 | 35-2010 | 207843 | Lip Seal Repair Kit |
| 21 | 35-2111 | 12001562 | Bearing Assembly |
| 22 | 35-0628 | 35-3573 | Linkage As |
| " | 35-2637 | Not Available | LINKAGE ASSY |
| 23 | 35-2059 | 35-2450 | Housing Assembly, Bearing And Seal |
| 24 | 35-2205 | | Bearing, Spin |
| 25 | 25-7849 | | Retaining Ring |
| 26 | 33-7224N | | Tub Seal Assembly |
| 27 | 33-9987 | Not Available | BASKET HUB ASM |
| 28 | 35-2061 | | Gasket, Tub To Housing |
| 29 | 25-7722 | 33-4293N | Gasket Kit |
| 30 | 33-9507 | 33-9504 | Locknut |
| 31 | 25-7120 | | Set Screw |
| 32 | 25-7848 | | Retaining Ring |
| 33 | 33-8718 | | Gasket |
| 34 | 35-0930 | | Gasket |
| 35 | 33-6790 | | Bearing, Agitator |
| 36 | 33-4283N | Not Available | CENTERPOST KIT |
| 37 | 33-7806N | | Seal Assembly |
| 38 | 33-9729 | Not Available | DRIVE BLOCK ASM |
| 39 | 25-7378 | | Set Screw |
| 40 | 33-6817 | | Stud |
| 41 | 35-2060 | | Seal, Tub To Housing |
| 42 | 25-7359 | | Screw |
| 43 | 25-7848 | | Retaining Ring |
| 44 | 25-7057 | | Washer, Flat |
| 45 | 25-7722 | 33-4293N | Gasket Kit |
| 46 | 25-7316 | | Flat Washer |
| 47 | LA-2001 | Not Available | TRANSMISSION REPLACEMENT KIT |