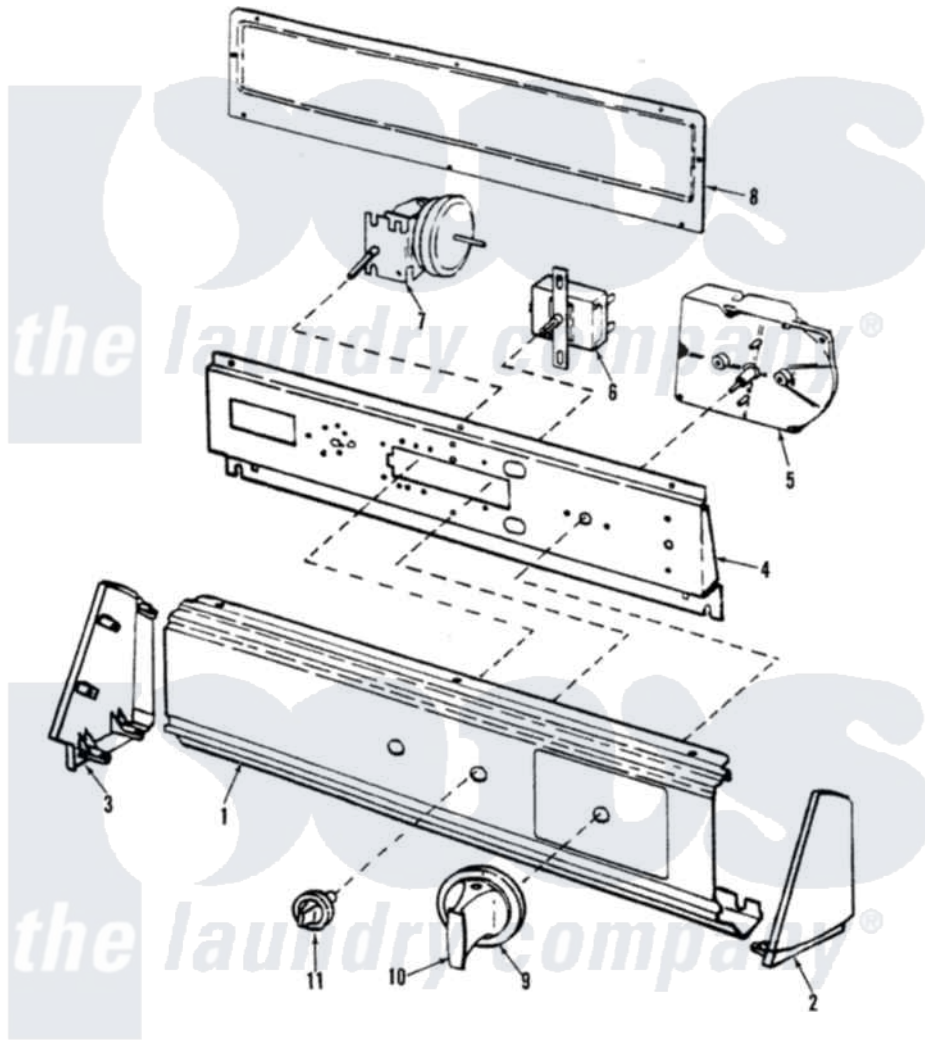


# Magic Chef W26EA2 02 - CONTROL PANEL

BACKGUARD



W26EN2

E-6

Magic Chef [Residential Magic Chef W26EA2 Washer Parts](#) Parts Diagram 02 - CONTROL PANEL  
 Click on the part number to view part

Item	Original Part Number	Replaced By	Status	Part Description
1	25-3092	<a href="#">90767</a>		Screw, 8A X 3/8 HeX Washer Head Tapping
"	<a href="#">25-7702</a>			Speedclip, End Cap To Control Panel
"	35-0754		Not Available	CONTROL PANEL
2	53-0277		Not Available	TRIM, END CAP (RT)
"	<a href="#">53-0264</a>			RH Endcap
"	<a href="#">25-7760</a>			Screw
3	53-0278		Not Available	TRIM, END CAP (LT)
"	<a href="#">53-0265</a>			LH Endcap
"	<a href="#">25-7760</a>			Screw
4	25-3092	<a href="#">90767</a>		Screw, 8A X 3/8 HeX Washer Head Tapping
"	<a href="#">25-7702</a>			Speedclip, End Cap To Control Panel
"	53-0365	<a href="#">53-1676</a>		Shield, Control
5	35-0492		Not Available	EXPORT TIMER
"	<a href="#">35-0117</a>			Timer Motor 1/2rpm

"	25-0088	<a href="#">489483</a>	Screw 10-32 X 1/2
6	<a href="#">35-0119</a>		Rotary Switch
"	25-3092	<a href="#">90767</a>	Screw, 8A X 3/8 HeX Washer Head Tapping
7	<a href="#">35-0782</a>		Pressure Switch
"	25-3092	<a href="#">90767</a>	Screw, 8A X 3/8 HeX Washer Head Tapping
8	25-3092	<a href="#">90767</a>	Screw, 8A X 3/8 HeX Washer Head Tapping
"	<a href="#">25-3457</a>		Screw, Sems
"	25-7583	Not Available	PLASTIC NUT
"	25-7592	Not Available	SCREW
"	34-9487	Not Available	PLATE, REINFORCEMENT
"	53-0268	<a href="#">21001460</a>	Shield, Rear
"	<a href="#">25-7851</a>		Speedclip, End Cap To Top
9	35-0318	Not Available	HUB/SKIRT ASM
10	35-0498	<a href="#">12500058</a>	Knob Ski
11	35-0147	Not Available	SELECTOR KNOB

