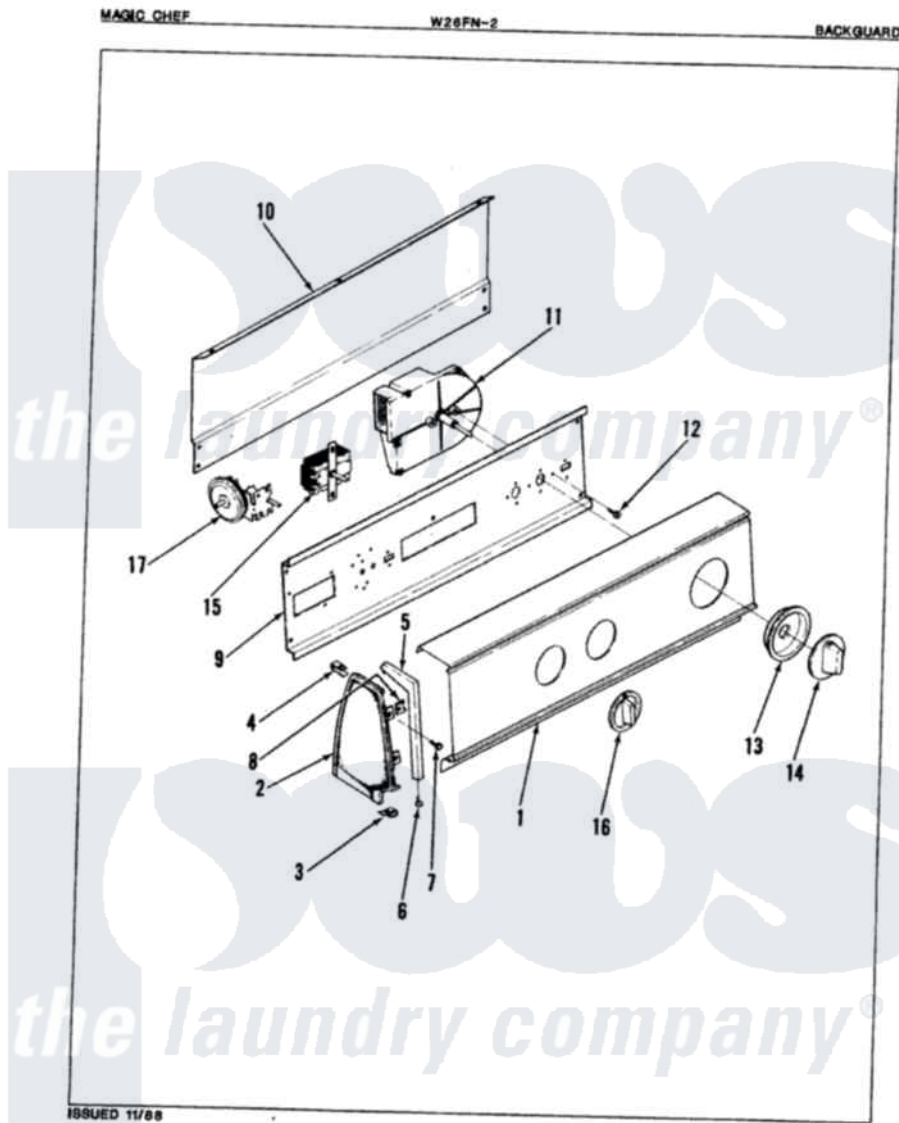


# Magic Chef W26FY2 02 - CONTROL PANEL (REV. A)



Magic Chef [Residential Magic Chef W26FY2 Washer Parts](#) Parts Diagram 02 - CONTROL PANEL (REV. A)  
 Click on the part number to view part

Item	Original Part Number	Replaced By	Status	Part Description
1	35-0903		Not Available	CONTROL PANEL
2	25-7649	<a href="#">910187</a>		Screw
"	<a href="#">25-7702</a>			Speedclip, End Cap To Control Panel
"	<a href="#">53-0265</a>			LH Endcap
"	<a href="#">53-0264</a>			RH Endcap
3	34-9487		Not Available	PLATE, REINFORCEMENT
"	25-7697	<a href="#">25-2219</a>		Screw
"	<a href="#">25-7851</a>			Speedclip, End Cap To Top
4	25-7435	<a href="#">33002917</a>		Screw, No.10-16
"	<a href="#">25-7852</a>			Speedclip, Rr Shld To End Cap
5	53-0277		Not Available	TRIM, END CAP (RT)
"	53-0278		Not Available	TRIM, END CAP (LT)
6	<a href="#">25-7760</a>			Screw
7	25-3092	<a href="#">90767</a>		Screw, 8A X 3/8 HeX Washer Head Tapping

8	<a href="#">25-7702</a>		Speedclip, End Cap To Control Panel
9	53-0365	<a href="#">53-1676</a>	Shield, Control
10	25-7583		Not Available PLASTIC NUT
"	<a href="#">25-3457</a>		Screw, Sems
"	25-3092	<a href="#">90767</a>	Screw, 8A X 3/8 HeX Washer Head Tapping
"	53-0268	<a href="#">21001460</a>	Shield, Rear
11	<a href="#">35-0117</a>		Timer Motor 1/2rpm
"	<a href="#">35-0491</a>		Timer
12	25-0088	<a href="#">489483</a>	Screw 10-32 X 1/2
13	35-0318		Not Available HUB/SKIRT ASM
14	35-0498	<a href="#">12500058</a>	Knob Ski
15	<a href="#">35-0119</a>		Rotary Switch
"	25-3092	<a href="#">90767</a>	Screw, 8A X 3/8 HeX Washer Head Tapping
16	35-0168		Not Available SELECTOR KNOB
17	<a href="#">35-0782</a>		Pressure Switch
"	25-3092	<a href="#">90767</a>	Screw, 8A X 3/8 HeX Washer Head Tapping

