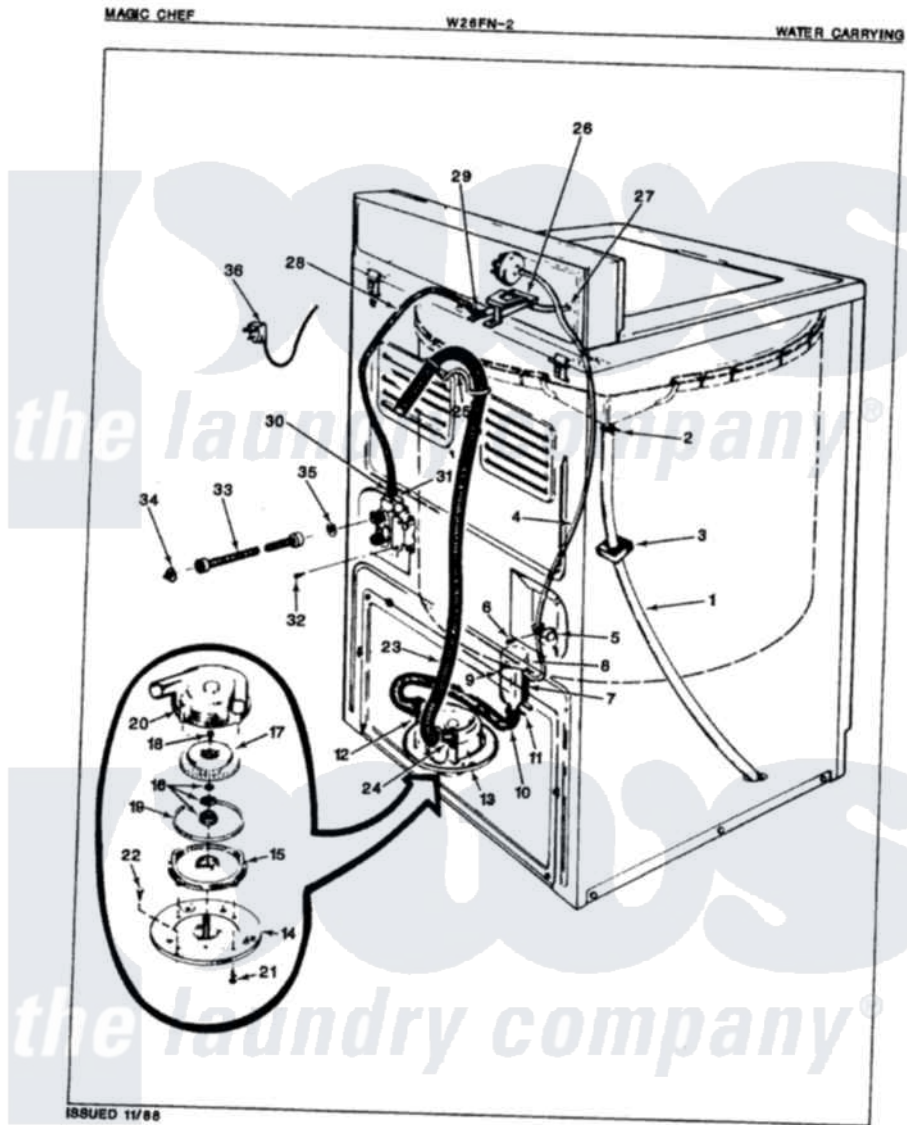


# Magic Chef W26FY2 05 - WATER CARRYING (REV. A)



Magic Chef [Residential Magic Chef W26FY2 Washer Parts](#) Parts Diagram 05 - WATER CARRYING (REV. A)  
 Click on the part number to view part

Item	Original Part Number	Replaced By	Status	Part Description
1	35-0059		Not Available	OVERFLOW HOSE
2	25-6057		Not Available	HOSE CLAMP
3	35-0706		Not Available	PAD, FOAM
4	35-0853		Not Available	PRES SW HOSE
"	25-7796	<a href="#">596669</a>		Clamp, Manifold
5	<a href="#">33-6099</a>			Clamp
6	W10124350		Not Available	NOT REQUIRED PART OR SEE NOTE (PURCHASED LOCALLY)
7	<a href="#">33-7314</a>			Sump Assembly
8	33-3633		Not Available	HOSE
9	<a href="#">25-7003</a>			Clamp
10	<a href="#">33-6091</a>			Hose
11	25-6066		Not Available	HOSE CLAMP
12	25-6055		Not Available	HOSE CLAMP
13	35-1069	<a href="#">35-6467</a>		Pump Assem
"	35-0008	<a href="#">35-6467</a>		Pump Assem

14	33-6035		Not Available	PLATE & PULLEY ASSY.
15	33-6029	<a href="#">35-6467</a>		Pump Assem
16	<a href="#">35-0707</a>			Seal, Seat And "O" Ring
17	<a href="#">35-0010</a>			Impeller
18	25-7418	<a href="#">33001178</a>		Back, Tumbler
19	<a href="#">33-6032</a>			Gasket
20	<a href="#">35-0009</a>			Pump Housing
21	25-7405	<a href="#">3196164</a>		Screw
22	25-7419		Not Available	SCREW
23	33-9535	<a href="#">211704</a>		Hose, Drain
24	<a href="#">33-9536</a>			Hose Adapter
25	33-9537	<a href="#">22003814</a>		Retainer, Drain Hose
"	25-7797	<a href="#">285655</a>		Clamp, Hose
26	25-7086	<a href="#">Y0308025</a>		Washer, Stainless Steel
"	33-9830		Not Available	INLET FLUME
"	25-3092	<a href="#">90767</a>		Screw, 8A X 3/8 HeX Washer Head Tapping
"	33-8057		Not Available	PLASTIC NUT
27	33-6038		Not Available	FLUME EXT
28	35-0541		Not Available	WATR INLET HOSE
29	25-7867	<a href="#">596669</a>		Clamp, Manifold
30	25-7866	<a href="#">489503</a>		Clamp
31	33-7058		Not Available	SUB 36-1456
"	35-0086	<a href="#">39-1482</a>		Mixing Valve
32	<a href="#">25-7851</a>			Speedclip, End Cap To Top
33	33-7891	<a href="#">89503</a>		Hose-Inlet
34	33-7313	<a href="#">33-4264N</a>		Strainer And Washer Kit
35	<a href="#">25-7048</a>			Washer
36	35-0680		Not Available	CORD, POWER

