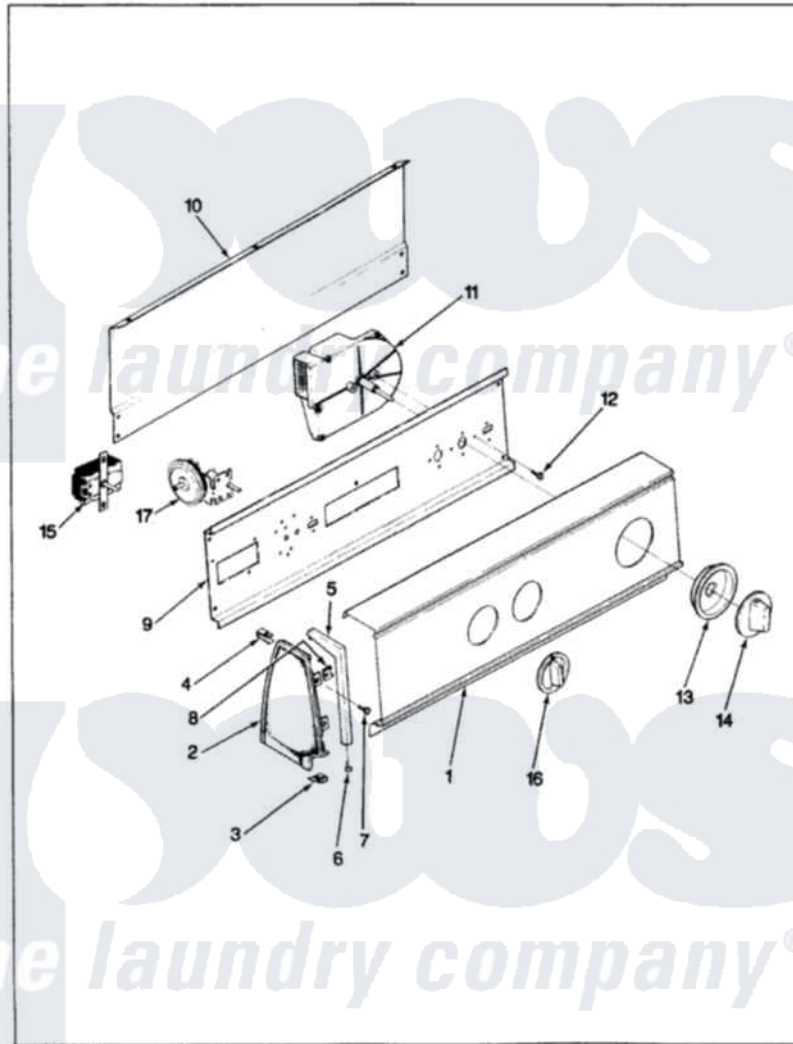


Magic Chef W26HA2 04 - CONTROL PANEL (REV. A-D)

MAGIC CHEF

W26HN-2

BACKGUARD



ISSUED 9/89

Magic Chef [Residential Magic Chef W26HA2 Washer Parts](#) Parts Diagram 04 - CONTROL PANEL (REV. A-D)
 Click on the part number to view part

Item	Original Part Number	Replaced By	Status	Part Description
1	25-7702			Speedclip, End Cap To Control Panel
"	25-7793			Screw
"	35-2169		Not Available	CONTROL PANEL
2	35-2487	21001451		Cap- End
"	35-2488	21001452		Cap- End
"	35-2669		Not Available	CAP, END (LT)(WHT)
"	53-0264			RH Endcap
"	53-0265			LH Endcap
"	35-2668	21001453		Cap- End
3	25-7697	25-2219		Screw
"	25-7851			Speedclip, End Cap To Top
"	34-9487		Not Available	PLATE, REINFORCEMENT
4	25-7852			Speedclip, Rr Shld To End Cap
"	25-7435	33002917		Screw, No.10-16
5	53-0277		Not Available	TRIM, END CAP (RT)

"	53-0278	Not Available	TRIM, END CAP (LT)
6	25-7760		Screw
7	25-3092	90767	Screw, 8A X 3/8 HeX Washer Head Tapping
8	25-7702		Speedclip, End Cap To Control Panel
9	53-1676		Shield, Control
"	53-0365	53-1676	Shield, Control
10	25-3457		Screw, Sems
"	25-3092	90767	Screw, 8A X 3/8 HeX Washer Head Tapping
"	35-2688	21001460	Shield, Rear
"	53-0268	21001460	Shield, Rear
11	35-2323		Timer
12	25-0088	489483	Screw 10-32 X 1/2
13	25-7835	Not Available	RING, COMPRESSION
"	35-2254	12500058	Knob Ski
14	35-2187	12500058	Knob Ski
15	25-3092	90767	Screw, 8A X 3/8 HeX Washer Head Tapping
"	35-0119		Rotary Switch
16	25-3092	90767	Screw, 8A X 3/8 HeX Washer Head Tapping
"	35-2185	21001283	Knob, Selector----Piq
17	25-3092	90767	Screw, 8A X 3/8 HeX Washer Head Tapping
"	35-2457	Not Available	MANUAL, U&C INSERT
"	35-2145	21001554	Switch, Water Level

the laundry company®

the laundry company®