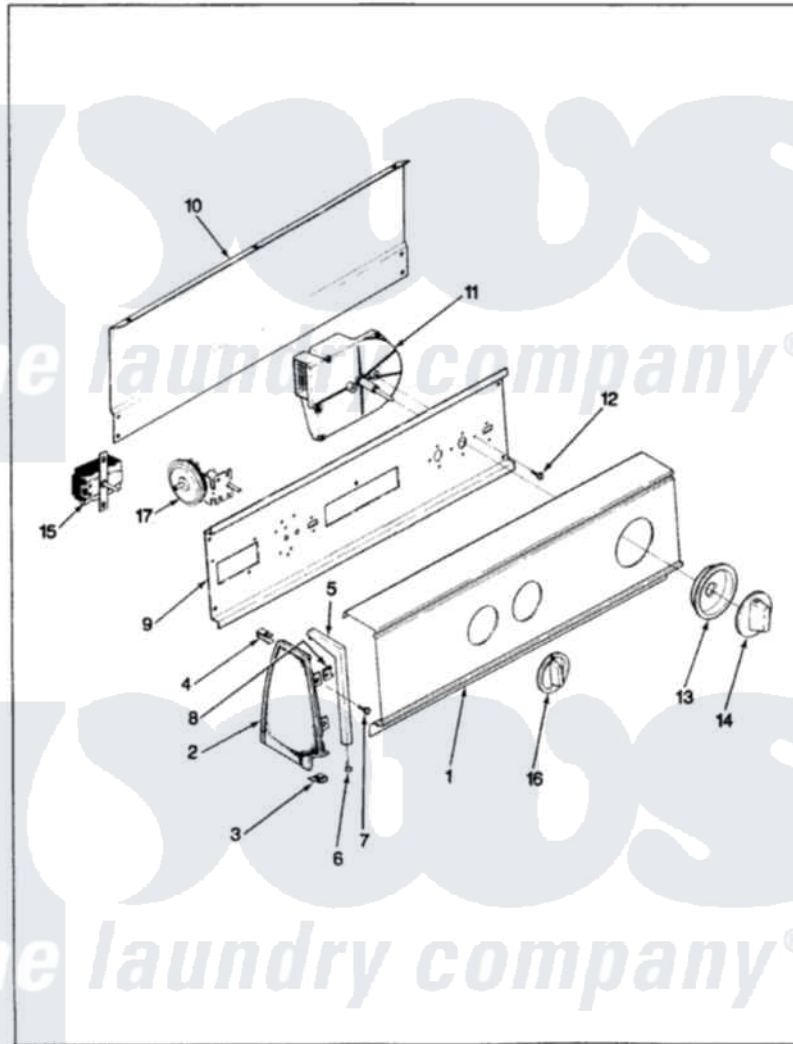


# Magic Chef W26HY2 04 - CONTROL PANEL (REV. A-D)

MAGIC CHEF

W26HN-2

BACKGUARD



ISSUED 9/89

Magic Chef [Residential Magic Chef W26HY2 Washer Parts](#) Parts Diagram 04 - CONTROL PANEL (REV. A-D)

[Click on the part number to view part](#)

Item	Original Part Number	Replaced By	Status	Part Description
1	<a href="#">25-7702</a>			Speedclip, End Cap To Control Panel
"	<a href="#">25-7793</a>			Screw
"	35-2169		Not Available	CONTROL PANEL
2	35-2487	<a href="#">21001451</a>		Cap- End
"	35-2488	<a href="#">21001452</a>		Cap- End
"	35-2669		Not Available	CAP, END (LT)(WHT)
"	<a href="#">53-0264</a>			RH Endcap
"	<a href="#">53-0265</a>			LH Endcap
"	35-2668	<a href="#">21001453</a>		Cap- End
3	25-7697	<a href="#">25-2219</a>		Screw
"	<a href="#">25-7851</a>			Speedclip, End Cap To Top
"	34-9487		Not Available	PLATE, REINFORCEMENT
4	<a href="#">25-7852</a>			Speedclip, Rr Shld To End Cap
"	25-7435	<a href="#">33002917</a>		Screw, No.10-16
5	53-0277		Not Available	TRIM, END CAP (RT)

"	53-0278	Not Available	TRIM, END CAP (LT)
6	<a href="#">25-7760</a>		Screw
7	25-3092	<a href="#">90767</a>	Screw, 8A X 3/8 HeX Washer Head Tapping
8	<a href="#">25-7702</a>		Speedclip, End Cap To Control Panel
9	<a href="#">53-1676</a>		Shield, Control
"	53-0365	<a href="#">53-1676</a>	Shield, Control
10	<a href="#">25-3457</a>		Screw, Sems
"	25-3092	<a href="#">90767</a>	Screw, 8A X 3/8 HeX Washer Head Tapping
"	35-2688	<a href="#">21001460</a>	Shield, Rear
"	53-0268	<a href="#">21001460</a>	Shield, Rear
11	<a href="#">35-2323</a>		Timer
12	25-0088	<a href="#">489483</a>	Screw 10-32 X 1/2
13	25-7835	Not Available	RING, COMPRESSION
"	35-2254	<a href="#">12500058</a>	Knob Ski
14	35-2187	<a href="#">12500058</a>	Knob Ski
15	25-3092	<a href="#">90767</a>	Screw, 8A X 3/8 HeX Washer Head Tapping
"	<a href="#">35-0119</a>		Rotary Switch
16	25-3092	<a href="#">90767</a>	Screw, 8A X 3/8 HeX Washer Head Tapping
"	35-2185	<a href="#">21001283</a>	Knob, Selector----Piq
17	25-3092	<a href="#">90767</a>	Screw, 8A X 3/8 HeX Washer Head Tapping
"	35-2457	Not Available	MANUAL, U&C INSERT
"	35-2145	<a href="#">21001554</a>	Switch, Water Level

*the laundry company*<sup>®</sup>

*the laundry company*<sup>®</sup>