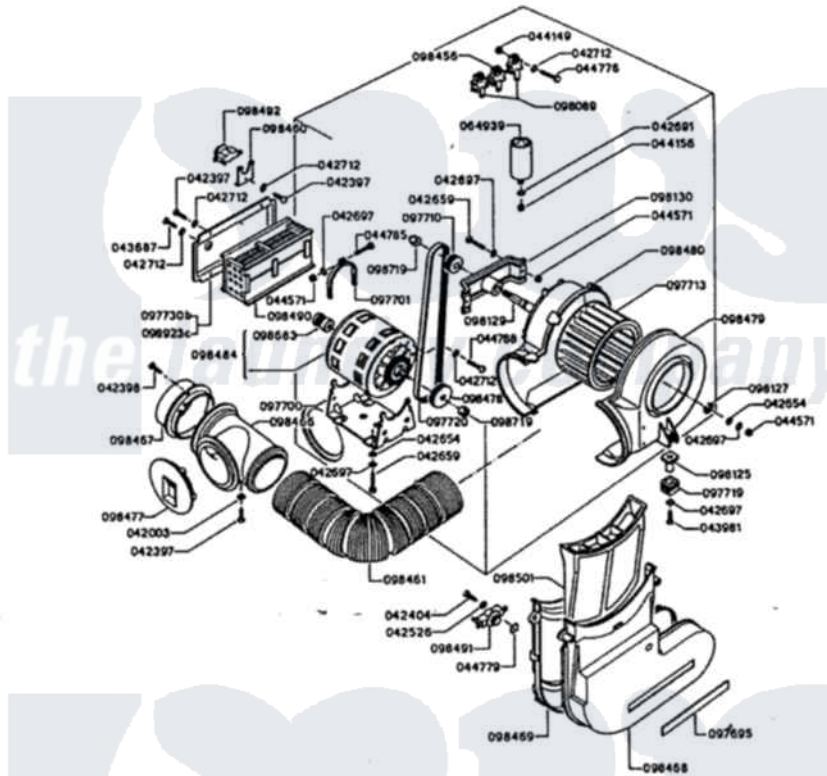


Magic Chef YE10AN12 04 - MOTOR (YE10AN12)



| -MODELS COVERED: | | | From serial Number |
|-----------------------|------------------------|--|--------------------|
| b | c | | |
| YE10AN-12 DCZ1040W | YE10AA-12 DCZ1040AM | | |

PM-1527-00

Magic Chef [Residential Magic Chef YE10AN12 Dryer Parts](#) Parts Diagram 04 - MOTOR (YE10AN12)
 Click on the part number to view part

| Item | Original Part Number | Replaced By | Status | Part Description |
|------|----------------------|----------------------------|---------------|------------------|
| 1 | 042003 | | Not Available | FLAT WASHER |
| 2 | 042397 | 8-1400-0-6 | | Small Round Box |
| 3 | 042398 | | Not Available | SCREW |
| 4 | 042404 | | Not Available | BOLT |
| 5 | 042526 | | Not Available | FLAT WASHER |
| 6 | 042654 | | Not Available | FLAT WASHER |
| 7 | 042659 | | Not Available | SCREW |
| 8 | Y042691 | | Not Available | WASHER |
| 9 | 042697 | | Not Available | LOCKWASHER |
| 10 | 042712 | | Not Available | LOCKWASHER |
| 11 | 043687 | | Not Available | SCREW |
| 12 | 043981 | | Not Available | SCREW |
| 13 | 044149 | | Not Available | NUT |
| 14 | 044156 | | Not Available | NUT |
| 15 | 044571 | | Not Available | NUT |
| 16 | 044776 | | Not Available | BOLT |

| | | | |
|----|------------------------|------------------------|----------------|
| 17 | 044779 | Not Available | NUT |
| 18 | 044785 | Not Available | SCREW |
| 19 | 044788 | Not Available | SCREW |
| 20 | 064939 | | Capacitor |
| 21 | 097695 | Not Available | FOAM TAPE |
| 22 | 097700 | Not Available | MOTOR MTG BRKT |
| 23 | 097701 | Not Available | MOTOR CLAMP |
| 24 | 097710 | Not Available | PULLEY |
| 25 | 097713 | Not Available | FAN |
| 26 | 097719 | Not Available | RUBBER GROMMET |
| 27 | 097720 | Not Available | BELT |
| 28 | 097730 | Not Available | HEATER COVER |
| 29 | 098089 | Not Available | TERMINAL BLOCK |
| 30 | 098125 | Not Available | PIVOT |
| 31 | 098127 | Not Available | RETAINING RING |
| 32 | 098129 | | Fan Shaft |
| 33 | 098130 | 098131 | Shaft/Brkt Kit |
| 34 | 098456 | Not Available | TERMINAL BLOCK |
| 35 | 098460 | Not Available | TSTAT MTG CLIP |
| 36 | 098461 | Not Available | EXHAUST HOSE |
| 37 | 098466 | Not Available | HOSE CONNECTOR |
| 38 | 098467 | Not Available | RING NUT |
| 39 | 098468 | Not Available | CONVEYOR |
| 40 | Y098469 | Not Available | CONVEYOR COVER |
| 41 | 098477 | Not Available | PLUG |
| 42 | 098478 | Not Available | PULLEY |
| 43 | 098479 | Not Available | FRONT SCROLL |
| 44 | 098480 | Not Available | BACK SCROLL |
| 45 | 098484 | Not Available | MOTOR & PULLEY |
| 46 | 098490 | Not Available | HEATER |
| 47 | 098491 | Not Available | THERMOSTAT |
| 48 | 098492 | Not Available | SAFETY TSTAT |
| 49 | 098501 | Not Available | FILTER ASM |
| 50 | 098683 | Not Available | MOTOR PULLEY |
| 51 | 098719 | Not Available | NUT |

