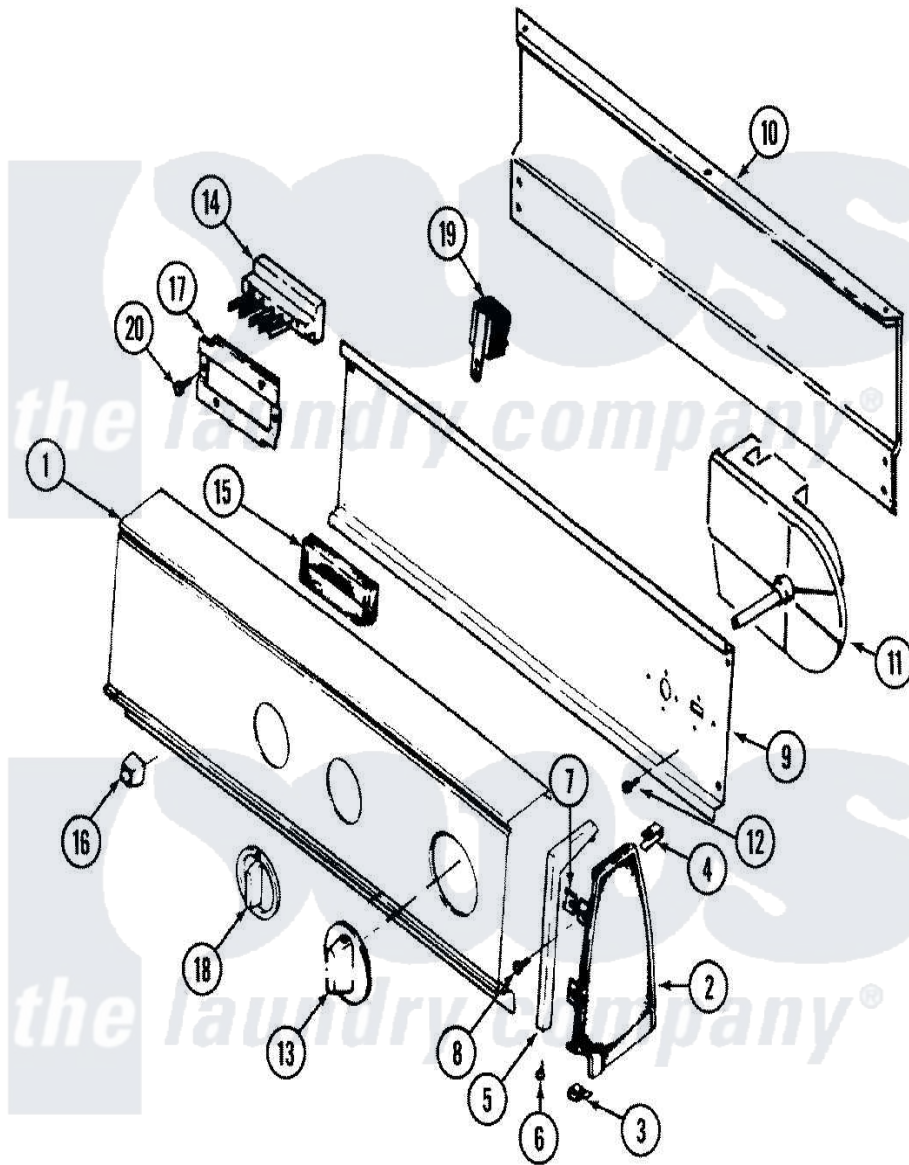


# Magic Chef YE208KV 02 - CONTROL PANEL (YE208KV)



Magic Chef [Residential Magic Chef YE208KV Dryer Parts](#) Parts Diagram 02 - CONTROL PANEL (YE208KV)  
 Click on the part number to view part

| Item | Original Part Number    | Replaced By              | Status        | Part Description                        |
|------|-------------------------|--------------------------|---------------|---|
| 1    | 53-2475                 |                          | Not Available | PANEL, CONTROL                          |
| 2    | 35-2669                 |                          | Not Available | CAP, END (LT)(WHT)                      |
| "    | 25-7649                 | <a href="#">910187</a>   |               | Screw                                   |
| "    | <a href="#">25-7702</a> |                          |               | Speedclip, End Cap To Control Panel     |
| "    | 35-2668                 | <a href="#">21001453</a> |               | Cap- End                                |
| 3    | 25-7697                 | <a href="#">25-2219</a>  |               | Screw                                   |
| "    | <a href="#">25-7851</a> |                          |               | Speedclip, End Cap To Top               |
| 4    | 25-7435                 | <a href="#">33002917</a> |               | Screw, No.10-16                         |
| "    | W10124350               |                          | Not Available | NOT REQUIRED PART OR SEE NOTE           |
| 5    | 53-2411                 |                          | Not Available | END TRIM L.H. (WHT)                     |
| "    | 53-2410                 |                          | Not Available | END TRIM R.H. (WHT)                     |
| 6    | <a href="#">25-7760</a> |                          |               | Screw                                   |
| 7    | 25-7435                 | <a href="#">33002917</a> |               | Screw, No.10-16                         |
| 8    | 25-3092                 | <a href="#">90767</a>    |               | Screw, 8A X 3/8 HeX Washer Head Tapping |

|    |                         |                          |               |   |
|----|-------------------------|--------------------------|---------------|---|
| 9  | 53-1678                 |                          | Not Available | CONTROL SHIELD                          |
| 10 | 35-2688                 | <a href="#">21001460</a> |               | Shield, Rear                            |
| "  | <a href="#">25-3457</a> |                          |               | Screw, Sems                             |
| 11 | 53-1816                 |                          | Not Available | TIMER                                   |
| 12 | 25-7435                 | <a href="#">33002917</a> |               | Screw, No.10-16                         |
| 13 | <a href="#">53-2502</a> |                          |               | Knob And Skirt Assembly                 |
| 14 | <a href="#">53-2416</a> |                          |               | Switch, 5 Pushbutton                    |
| "  | 25-3092                 | <a href="#">90767</a>    |               | Screw, 8A X 3/8 HeX Washer Head Tapping |
| 15 | 35-3394                 |                          | Not Available | PAD, SWITCH                             |
| 16 | <a href="#">35-3191</a> |                          |               | Pushbutton                              |
| 17 | 33-6621                 |                          | Not Available | BRACKET, SWITCH                         |
| 18 | 35-3961                 | <a href="#">21001239</a> |               | Knob, Selector                          |
| 19 | 26-3092                 |                          | Not Available | SCREW                                   |
| "  | <a href="#">53-1666</a> |                          |               | Buzzer - Adjustable                     |
| 20 | 25-7712                 |                          | Not Available | SCREW                                   |
| 21 | 31001050                |                          | Not Available | MANUAL, USE & CARE                      |
| 22 | 53-2489                 |                          | Not Available | MANUAL, USE & CARE                      |
| 23 | 16000329                |                          | Not Available | GUIDE, QUICK REF. - MAGIC CHEF          |

